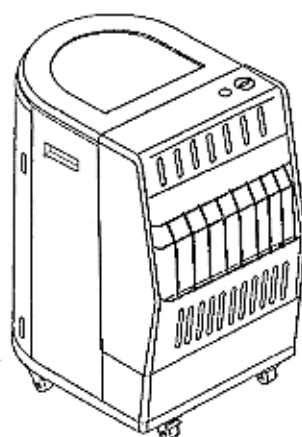


## OWNER'S OPERATION AND INSTALLATION MANUAL



### KPH100 KPH150

#### Table of Contents

Important Safety Information .....	2
Product Features .....	2
Installation .....	3
Operating Your Heater .....	3
Cleaning & Maintenance .....	5
Specifications .....	6
Trouble Shooting .....	7
Parts List .....	8



World Marketing of America, Inc.  
P.O. Box 192, Rt. 22 West  
Mill Creek, PA 17060

KOZY WORLD PHONE NUMBER (814) 643-1775  
<http://www.worldmarketing.com>

**⚠ WARNING:** If the information in this manual is not followed exactly, a fire or explosion may result causing property damage, personal injury, or loss of life.

**⚠ WARNING:** Improper installation, adjustment, alteration, service, or maintenance can cause injury or property damage. Read the installation, operating and maintenance instructions thoroughly before installing or servicing this equipment.

Do not store or use gasoline or other flammable vapors and liquids in the vicinity of this or any other appliance.

#### WHAT TO DO IF YOU SMELL GAS:

- Do not try to light any appliance.
- Do not touch any electrical switch; do not use any phone in your building.
- Immediately call your gas supplier from a neighbor's phone, follow the gas supplier's instructions.
- If you cannot reach your gas supplier, call the fire department.

Installation and service must be performed by a qualified installer, service agency, or the gas supplier.

**⚠ IMPORTANT:** Read this owner's manual carefully and completely before trying to assemble, operate, or service this heater.

**⚠ WARNING:** For Outdoor Use Only

**⚠ DANGER**



#### CARBON MONOXIDE HAZARD

This appliance can produce carbon monoxide which has no odor.

Using it in an enclosed space can kill you.

Never use this appliance in an enclosed space such as a camper, tent, car or home.

Save this manual for future reference

## SAFETY INFORMATION

1. Check the heater completely and thoroughly for damage. DO NOT run a damaged heater.
2. DO NOT alter the heater or operate a heater that has been modified from its original condition.
3. Use only propane gas.
4. Only use vapor withdrawal propane gas. If you have some questions, contact your LP dealer.
5. Inspect hose assembly before each use of the heater. If there is excessive abrasion or hose is cut, **STOP USING HEATER!** Replace with a new hose.
6. This heater is for outdoor use only. However, Make sure that there is ample fresh air ventilation. Do not use this heater in buildings, garages or other enclosed spaces.
7. If you smell gas, **IMMEDIATELY STOP** operation until gas leak has been located and corrected.
8. Do not place the heater, where directly exposed to water spray, rain, dripping water or wind.
9. Maintain minimum clearance to people or combustible material (like paper) of 2 feet.
10. Place heater on a stable, level surface.
11. You must operate the heater with the heater screen in place. Make sure heater screen is in place before running heater.
12. Do not attempt to move, handle or service when heater is in operation.
13. Use only in accordance with local codes or, in the absence of local codes, follow the National Fuel Gas Code ANSI Z223.1-1996.
14. Do not hang, or attach clothing or any other flammable materials on or near the heater.
15. Carefully supervise young children when they are in the vicinity of the heater.
16. The Heater becomes very hot when running. Keep children and adults away from hot surface to avoid burns or clothing ignition.
17. Installation and repair should be performed by a qualified service person. The appliance should be inspected before use and at least annually by a qualified service person. More frequent cleaning may be required as necessary. It is imperative that control compartment, burners and circulating air passageways of the appliance be kept clean.

## PRODUCT IDENTIFICATION

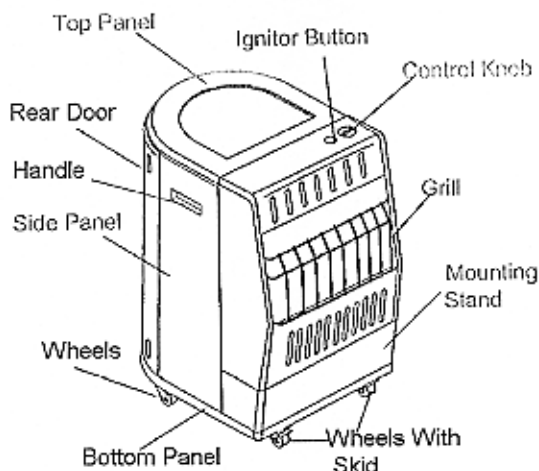


Figure 1-Portable Outdoor Infrared Heater

## PRODUCT FEATURES

### SAFETY DEVICE

Build-in safety pilot and accidental tip-over shut off switch.

### PIEZO IGNITION SYSTEM

This heater is equipped with a piezo ignitor. This system requires no matches, batteries, or other sources to light heater.

### LOCAL CODES

Install and use heater with care. Follow all local codes. In the absence of local codes, use the latest edition of *National Fuel Gas Code ANSZ223.1*, also known as NFPA 54\*.

\*Available from:

American National Standards Institute, Inc.

1430 Broadway  
New York, NY 10018

National Fire Protection Association, Inc.

Batterymarch Park  
Quincy, MA 02269

1. Remove all protective packaging applied to heater for shipment.
2. Check all items for any shipping damage. If damaged, promptly inform dealer where you purchased heater.

# CONNECTING TO GAS SUPPLY

## FUEL REQUIREMENTS:

- Connect external regulator/hose with standard 20-pound LP cylinder (not provided) coupler.
- Call the LP gas supplier to inspect the cylinder. Do not use a damaged LP gas cylinder.
- Do not use LP gas without proper decompression.
- Do not connect irregular LP gas supply with heater.
- Use only LP gas on this heater. Do not convert to other gases.

**CAUTION:** It is dangerous to use a dented or rusty cylinder.

**Note:** An external regulator(provided with the heater) with hose (with 5/8" nut at one end, and a regulator at the other end) and a 3/8" NPT joint (provided with the heater) 20# Vertical Acme with OPD LP cylinder.

1. Turn the knob of the rear door clockwise and open the rear door.
2. Remove dustproof decal from regulator .
3. Connect the hose on the regulator side through the 3/8"NPT joint to the pressure regulator on the bottom of the heater, and tighten it (see Figure 2 ).
4. Locate cylinder fixing hoop 1 between the right panel and the left panel, and tighten it with four M5 screws. Set cylinder on the bottom panel, and insert the holes on cylinder fixing hoop 2 into the pins on the cylinder fixing hoop1(see Figure 3) .
5. Connect the other side of the regulator to the outlet of the cylinder and securely tighten it (see Figure 4) .
6. Before opening gas supply valve, make sure control knob is on OFF position. Open gas supply valve, and apply a mixture of liquid soap and water to all joints. **Do not use an open flame.** Bubbles forming show a leak. Correct all leaks immediately.
7. Make sure all the joints have been connected properly and reclose the rear door.

## OPERATING HEATER

This heater is designed for use with LP gas. You may light the heater directly. LP gas is heavier than air. If it leaks from the joint, it may settle on the floor and mix with ambient air to form a explosive mixture. If you have questions, contact your LP dealer for instructions or service.

**CAUTION:** When heater runs in the presence of other people, the user is responsible to properly offer those present safety precautions and hazard information.

**WARNING:** Fire, burn, inhalation and explosion hazard. Keep solid combustible things, such as building materials, paper or cardboard, at safe clearances from the heater. Never use heater in the vicinity of gasoline, solvent, paint thinner or other combustible items.

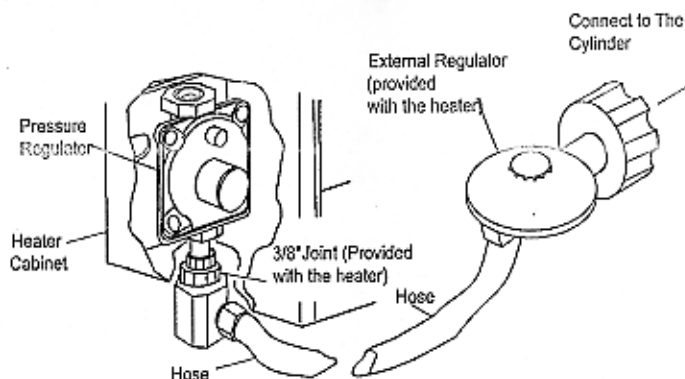


Figure 2- Gas Connection to Heater

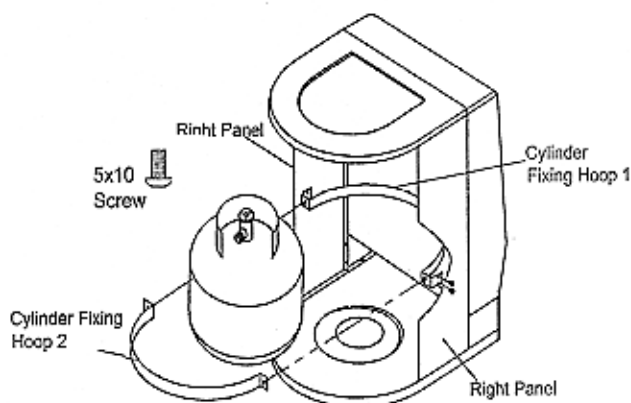


Figure 3-Installing Cylinder Hoops

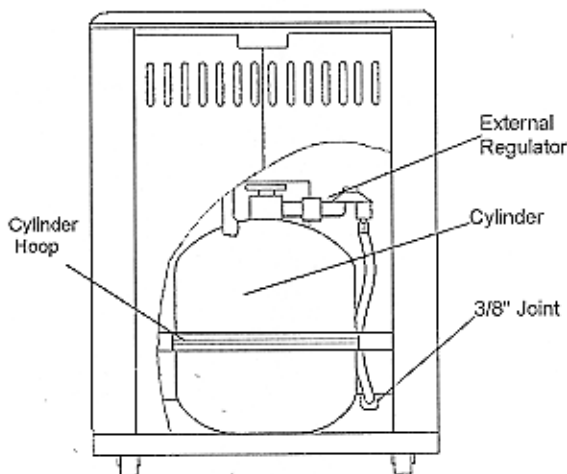


Figure 4 -Gas Connection to Cylinder

