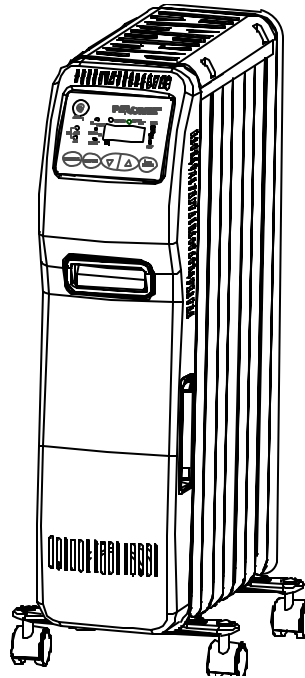


PELONIS

OWNER'S MANUAL



Oil Filled Radiator Heater

Model HO-158E



PLEASE READ AND SAVE THESE INSTRUCTIONS

IMPORTANT INSTRUCTIONS

PLEASE READ AND SAVE THESE IMPORTANT SAFETY INSTRUCTIONS

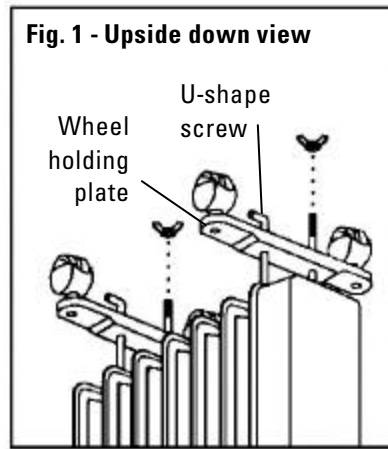
When using electrical appliances, basic precautions should always be followed to reduce the risk of fire, electric shock, and injury to persons, including the following:

1. Read all instructions before using this heater.
2. This heater is hot when in use. To avoid burns, do not let bare skin touch hot surfaces. If provided, use handles when moving this heater. Keep combustible materials, such as furniture, pillows, bedding, papers, clothes, and curtains at least 3 feet (0.9m) from the front of the heater and keep them away from the sides and rear.
3. Extreme caution is necessary when any heater is used by or near children or invalids and whenever the heater is left operating and unattended.
4. Always unplug heater when not in use.
5. Do not operate any heater with a damaged cord or plug or after the heater malfunctions, has been dropped or damaged in any manner. Return heater to authorized service facility for examination, electrical or mechanical adjustment, or repair.
6. Do not use outdoors.
7. This heater is not intended for use in bathrooms, laundry areas and similar indoor locations. Never locate heater where it may fall into bathtub or other water container.
8. Do not run cord under carpeting. Do not cover cord with throw rugs, runners, or similar coverings. Arrange cord away from traffic area and where it will not be tripped over.
9. To disconnect heater, first turn controls to off, then remove plug from outlet.
10. Do not insert or allow foreign objects to enter any ventilation or exhaust opening as this may cause an electric shock or fire, or damage the heater.
11. To prevent a possible fire, do not block air intakes or exhaust in any manner. Do not use on soft surfaces, like a bed, where openings may become blocked.
12. A heater has hot and arcing or sparking parts inside. Do not use it in the areas where gasoline, paint, or flammable liquids are used or stored.
13. Use this heater only as described in this manual. Any other use not recommended by the manufacturer may cause fire, electric shock, or injury to persons.
14. Avoid the use of an extension cord because the extension cord may overheat and cause a risk of fire. However, if you have to use an extension cord, the cord shall be No. 14 AWG minimum size and rated not less than 1875 watts.
15. This heater draws 12.5 amps during operation. To prevent overloading a circuit, do not plug the heater into a circuit that already has other appliances working.
16. It is normal for the plug to feel warm to the touch; however, a loose fit between the AC outlet (receptacle) and plug may cause overheating and distortion of the plug. Contact a qualified electrician to replace loose or worn outlet.
17. The output of this heater may vary and its temperature may become intense enough to burn exposed skin. Use of this heater is not recommended for persons with reduced sensitivity to heat or an inability to react to avoid burns.
18. **"SAVE THESE INSTRUCTIONS"**

UNPACKING AND SET-UP INSTRUCTIONS

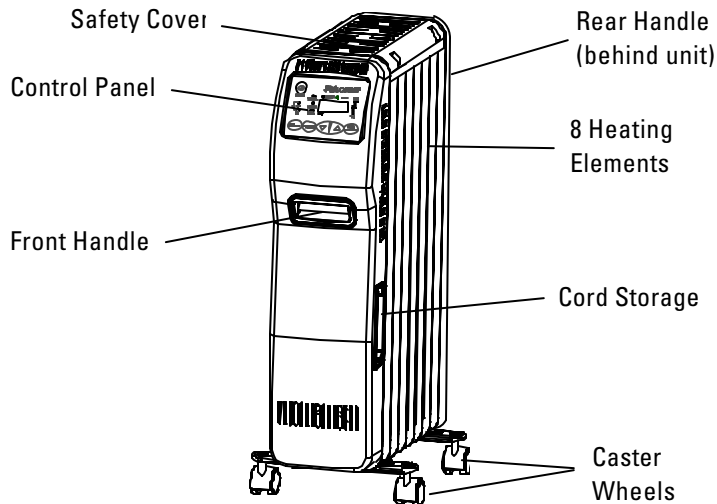
Unpack your heater and remove the wheel assemblies from the package. Refer to Fig. 1 below:

1. Make sure the heater is unplugged and in the "OFF" position.
2. **TURN THE HEATER UPSIDE DOWN.**
3. Position the wheel base assemblies between the end fins as shown.
4. Insert each U-shape screw into the holes of each wheel holding plate.
5. Insert the butterfly nuts and screw them tightly.
6. Turn the heater upright.



Your heater is now ready for use.

CAUTION: Risk of fire – Do not operate heater without wheel assemblies attached. Operate heater in upright position only (wheels on bottom, controls on top). Any other position could create a hazardous situation.



IMPORTANT!

Your heater is equipped with a polarized alternating current line plug (a plug having one blade wider than the other). This plug will fit into the power outlet only one way. This is a safety feature. If you are unable to insert the plug fully into the outlet, try reversing the plug. If the plug should still fail to fit, contact your electrician to replace your outlet. **DO NOT** defeat the safety purpose of the polarized plug.

OPERATING INSTRUCTIONS

Place the heater on a firm level surface free from obstructions, and at least 3 ft. away from any wall and any other objects such as furniture, curtains, plants or combustible material.

To program the functions of your electronic oil filled heater, refer to the control panel in Fig. 2.

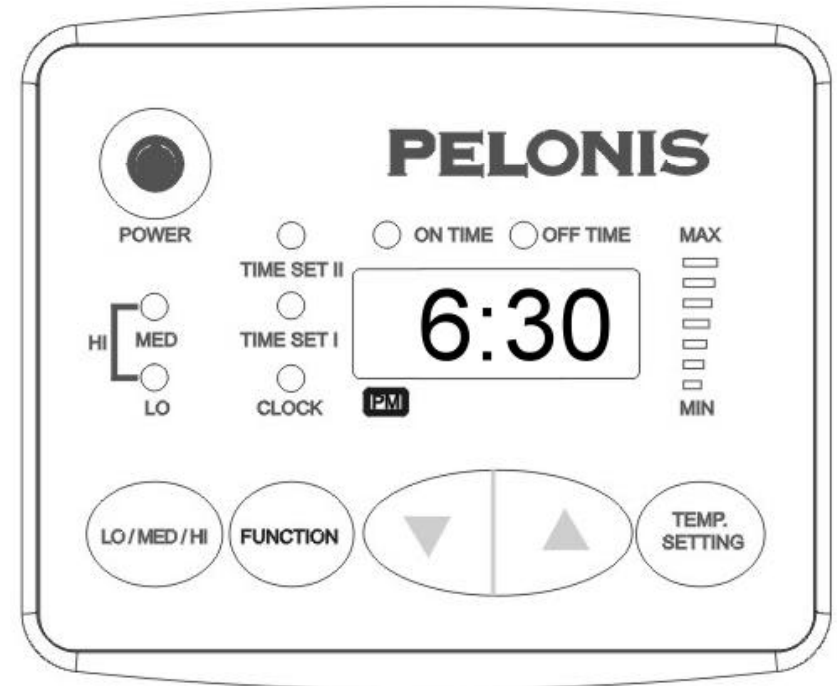


Fig. 2 - Control Panel View

- Press the "POWER" button to turn the heater ON.
- Select the power you desire by pressing the LO/MED/HI button. On LO, the heater operates at 600W. On MED, the heater operates at 900W. On HI, the heater operates at 1500W.

Press the "TEMP SETTING" button to select the desired temperature. There are 7 positions from MIN to MAX.

SETTING THE CLOCK

This heater has a built-in automatic clock. To set the clock, refer to Fig 3 below:

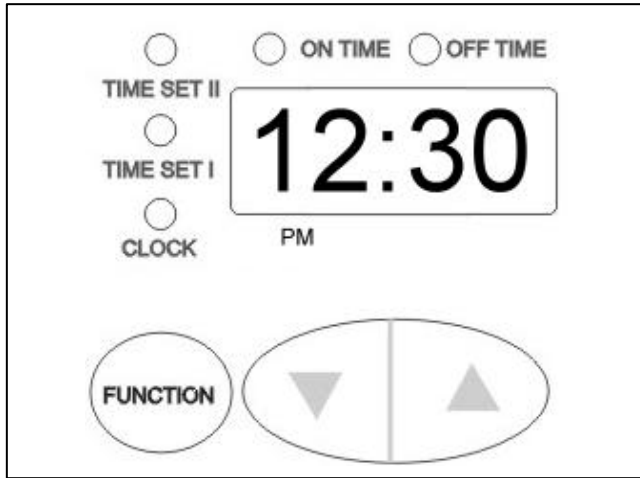


Fig. 3 – Clock Setting View

1. Press the **“FUNCTION”** button until the **CLOCK** light and **HOUR LED** start flashing.
2. Set the **HOUR** by pressing the **▲** or **▼** button (if setting for **PM** time, make sure the **PM** light is on). Then, press the **“FUNCTION”** button again. The **MINUTE LED** will start flashing.
3. Set the **MINUTES** by pressing the **▲** or **▼** button. Press the **“FUNCTION”** button again to set.

Note: If the heater is unplugged at any time, the clock must be reset.

SETTING THE TIMERS (TIME SET I & TIME SET II)

This heater has two automatic timers that will enable the heater to turn on and off automatically during two time periods within 24 hours. For example, you can set the first timer (**TIME SET I**) to turn the heater on in the morning before you wake up and then turn off again when you leave home for work. You can also set the second timer (**TIME SET II**) to turn the heater on again in the evening when you arrive home and turn it off again when you go to sleep at night.

You can operate either or both timers, depending on your preference. Once set, the heater will operate 24 hours a day at the time periods chosen.

To set the timers, refer to the examples on the following page.

Example of TIME SET I:

To set the heater to turn ON at 6:30 AM and turn OFF at 9:00 AM:

1. Press the **“FUNCTION”** button until both the **“TIME SET I”** and **“ON TIME”** lights start flashing.
2. Set the **HOUR** by pressing the **▲** or **▼** button until **“6”** is displayed. Then, press the **“FUNCTION”** button again. The **MINUTE LED** will start flashing. Set the **MINUTES** by pressing the **▲** or **▼** button until **“30”** is displayed. Press the **“FUNCTION”** button again to set.

The heater is now set to turn ON at 6:30 AM

3. Press the **“FUNCTION”** button until both the **“TIME SET I”** and **“OFF TIME”** lights start flashing.
4. Set the **HOUR** by pressing the **▲** or **▼** button until **“9”** is displayed. Then, press the **“FUNCTION”** button again. The **MINUTE LED** will start flashing. Set the **MINUTES** by pressing the **▲** or **▼** button until **“00”** is displayed. Press the **“FUNCTION”** button again to set.

The heater is now set to turn OFF at 9:00 AM

Example of TIME SET II:

To set the heater to turn ON at 5:30 PM and turn OFF at 11:00 PM:

1. Press the **“FUNCTION”** button until both the **“TIME SET II”** and **“ON TIME”** lights start flashing.
2. Set the **HOUR** by pressing the **▲** or **▼** button until **“5”** is displayed and the **PM** light is **ON**. Then, press the **“FUNCTION”** button again. The **MINUTE LED** will start flashing. Set the **MINUTES** by pressing the **▲** or **▼** button until **“30”** is displayed. Press the **“FUNCTION”** button again to set.

The heater is now set to turn ON at 5:30 PM

3. Press the **“FUNCTION”** button until both the **“TIME SET II”** and **“OFF TIME”** lights start flashing.
4. Set the **HOUR** by pressing the **▲** or **▼** button until **“11”** is displayed and the **PM** light is **ON**. Press the **“FUNCTION”** button again. The **MINUTE LED** will start flashing. Set the **MINUTES** by pressing the **▲** or **▼** button until **“00”** is displayed. Press the **“FUNCTION”** button again to set.

The heater is now set to turn OFF at 11:00 PM

Once the timers are set as shown in above examples, your heater will turn ON in the morning at 6:30 AM and turn OFF at 9:00 AM, then turn ON again at 5:30 PM and turn OFF at 11:00 PM. This will occur continuously 24 hours a day until the timers are turned off, or the power is turned off.

Once a timer is set, its **GREEN** light will remain **ON**. Then, as the heater turns on during the set **ON TIME** chosen, the green light will turn **RED**, indicating that the heater is **ON**. The light will revert back to green when the heater turns off after it reaches the set **OFF TIME**.

TURNING OFF THE TIMERS (TIME SET I & TIME SET II)

You can turn off either or both timers by doing the following:

Turning Off TIME SET I:

To turn off TIME SET I, set the ON TIME and OFF TIME to "00:00".

Turning Off TIME SET II:

To turn off TIME SET II, set the ON TIME and OFF TIME to "00:00".

ADDITIONAL FEATURES

This heater has additional features:

- Safety Cover - Helps keep children or pets from touching the top hot surface of the heater.
- Convenient front and rear Carry Handles and Heavy-Duty Caster Wheels - Allow for easy maneuvering from room to room.
- Cord Storage Compartment - Neatly stores power cord when the heater is not used.

TROUBLESHOOTING

If your heater fails to operate, please follow these instructions:

- Ensure that your circuit breaker or fuse is working properly.
- Be sure the heater is plugged in and that the electrical outlet is working properly.
- Check for any obstruction. If you find any obstruction, turn the heater "**OFF**". Unplug the heater and wait a few minutes for it to cool down. Carefully remove the obstruction. Plug the heater in and turn it on again by referring to the **OPERATING INSTRUCTIONS**.

NOTE: IF YOU EXPERIENCE A PROBLEM WITH YOUR HEATER, PLEASE SEE THE WARRANTY INFORMATION FOR INSTRUCTIONS. PLEASE DO NOT ATTEMPT TO OPEN OR REPAIR THE HEATER YOURSELF. DOING SO MAY VOID THE WARRANTY AND COULD CAUSE DAMAGE OR PERSONAL INJURY. IF THE PROBLEM STILL PERSISTS, PLEASE CONTACT US BY REFERRING TO THE SERVICE & SUPPORT INFORMATION.

CLEANING AND STORAGE

It is recommended that the heater be cleaned at least one time during the operating season in order to provide the optimum level of performance. **ALWAYS TURN THE POWER SWITCH OFF AND UNPLUG THE HEATER BEFORE CLEANING.** Be sure to save the box for off-season storage.

- Turn the heater "**OFF**", unplug it and wait for the heater to cool down.
- Use a dry cloth to clean only external surfaces of the heater.
- Do not use any cleaning agents or detergents.
- Never immerse the heater in water.
- Pack the heater in the original carton and store it in a cool and dry place.

SPECIFICATIONS

Model No.: HO-158E

Voltage: 120V, 60Hz

Current: Maximum continuous draw: 12.5 Amps.

Output: 5200 BTUs

Power: LO = 600 Watts, MED = 900 Watts, HI = 1500 Watts

Tolerances on all specifications: Approximately +5%, -10%

SERVICE & SUPPORT

For usage tips about this heater, to register your heater warranty online, or to obtain information about other Pelonis USA products, please visit our website at www.pelonis.com

In the event of a warranty claim or if service is required for this heater, please contact us at the following:

Toll Free: 1-800-842-1289 or 1-610-695-8700 (M-F 9:00am to 5:00pm EST)
Email us at: service@pelonis.com

For questions or comments, please write to:

Pelonis USA, Ltd.
Att: Consumer Relations Department
P.O. Box 785
Malvern, PA 19355 USA

For your records, staple your sales receipt to this manual and record the following:

DATE OF PURCHASE: _____

PLACE OF PURCHASE: _____

SERIAL NUMBER: _____

(STAPLE SALES RECEIPT HERE)

NOTE: PROOF OF PURCHASE IS REQUIRED FOR ALL WARRANTY CLAIMS

FIVE (5) YEAR LIMITED WARRANTY

- Please read all instructions before attempting to use this product.
- Please return the Warranty Registration card within fifteen (15) days from the date of purchasing this product.

Pelonis USA, Ltd., referred to hereafter as Pelonis USA, warrants as limited herein to the original purchaser of retail that each new Pelonis Oil Filled Radiator heater, shall be free of defects in material and workmanship for a period of five (5) years from the date of original purchase. This five (5) year warranty is limited to the heating elements, motor, and electric control circuit board.

In the event of malfunctions or failure of your Pelonis Oil Filled Radiator heater, simply deliver or send the heater, postage prepaid along with **PROOF OF PURCHASE**, within the warranty period of five (5) years, to Pelonis USA. Pelonis USA reserves the right to inspect the claimed defective part or parts to determine if the defect or malfunction complaint is covered by this warranty. Pelonis USA shall, within sixty (60) days after receipt of the product, at its option, repair and/or replace the defective part or parts free of charge. This warranty shall only cover defects arising from normal usage. Pelonis USA assumes no responsibility whatsoever if the Oil Filled Radiator heater should fail during the warranty period by reason of:

- Misuse, negligence, physical damage or accidents.
- Lack of maintenance (see instructions for proper maintenance).
- Repair by any unauthorized party during the warranty period.
- Damage caused by connection to an improper input voltage (see specification label on your heater).

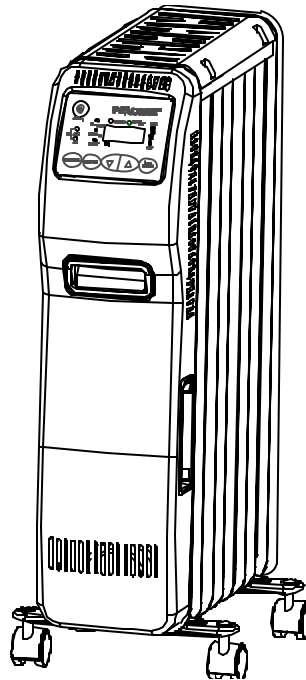
Pelonis USA makes no further warranties or representations, express or implied except those contained herein. No representative or dealer is authorized to assume any other liability regarding the Oil Filled Radiator heater. The duration of the implied warranty granted under State law, including warranties of merchantability and fitness for particular purpose are limited in duration should the duration of the express warranty grant it hereunder. Pelonis USA shall in no event be liable for direct, indirect, special or consequential damages.

Some states do not allow limitations on how long an implied warranty lasts, and/or the above limitations or exclusion may not apply to you. This warranty gives you specific legal rights and you may have other rights which vary from state to state.

Should your Oil Filled Radiator heater fail to operate under the terms of this limited warranty, contact Pelonis USA at 1-800-842-1289 or 1-610-695-8700 (M-F 9:00am to 5:00pm EST).

PELONIS

MANUAL DEL USUARIO



Calentador Radiador Con Aceite

Modelo HO-158E



POR FAVOR LEA Y GUARDE ESTAS INSTRUCCIONES

INSTRUCCIONES IMPORTANTES

POR FAVOR LEA Y GUARDE ESTAS IMPORTANTES INSTRUCCIONES DE SEGURIDAD

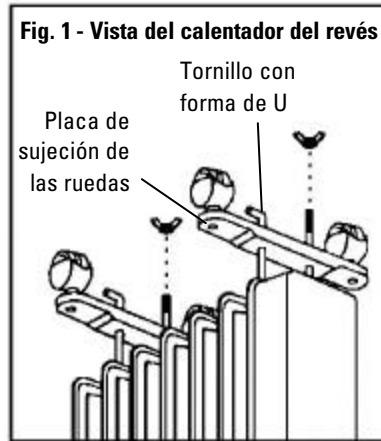
Cuando se utilizan electrodomésticos, se deben seguir siempre ciertas precauciones básicas para reducir el riesgo de incendio, descarga eléctrica y lesiones personales, incluyendo las siguientes:

1. Lea todas las instrucciones antes de utilizar este calentador.
2. Este calentador se calienta cuando se utiliza. Para evitar quemaduras, no deje que la piel entre en contacto con las superficies calientes. Si el calentador tiene mangos, utilice los mismos para moverlo. Mantenga los materiales combustibles, como muebles, almohadas, ropa de cama, papeles, ropa y cortinas al menos a 3 pies (0.9 m.) del frente del calentador y manténgalos alejados de los costados y la parte posterior.
3. Es necesario tener extrema precaución cuando se utilice cualquier calentador cerca de niños o personas inválidas y siempre que el calentador se deje en funcionamiento sin supervisión.
4. Desconecte siempre el calentador cuando no esté en uso.
5. No utilice ningún calentador con un cable o enchufe dañado o luego de que el calentador funcione mal, haya sido golpeado o dañado de cualquier manera. Devuelva el calentador a un centro de servicio autorizado para que sea examinado, o para que se le realicen adaptaciones o reparaciones eléctricas o mecánicas.
6. No lo utilice en exteriores.
7. Este calentador no fue diseñado para su utilización en baños, áreas de lavado y lugares similares de interiores. Nunca coloque el calentador en un lugar desde donde pueda caerse en una bañera u otro recipiente con agua.
8. No coloque el cable debajo de alfombras. No cubra el cable con alfombras de área, tapetes, o coberturas similares. Disponga el cable fuera del área de paso y donde no provoque tropiezos.
9. Para desconectar el calentador, primero coloque los controles en la posición de apagado y luego retire el enchufe del tomacorriente.
10. No inserte o permita que objetos externos entren en ninguna ventilación o salida de ventilación ya que esto puede causar una descarga eléctrica o incendio, o daños al calentador.
11. Para prevenir un posible incendio, no bloquee las entradas y salidas de aire de ninguna manera. No lo utilice en superficies suaves, como una cama, donde las aperturas se pueden bloquear.
12. Un calentador contiene partes calientes y con chispas o un arco eléctrico. No lo utilice en áreas donde se usa o se guarda gasolina, pintura o líquidos inflamables.
13. Utilice este calentador sólo de la manera que se describe en este manual. Cualquier otro uso no recomendado por el fabricante puede causar fuego, descarga eléctrica o lesiones a personas.
14. Evite el uso de un cable de extensión ya que éste se puede sobrecalentar y causar riesgo de incendio. Sin embargo, si debe utilizar un cable de extensión, el cable debe ser 14 AWG como mínimo y su capacidad nominal no debe ser inferior a 1875 vatios.
15. Este calentador consume 12.5 amperes durante su funcionamiento. Para prevenir sobrecargar un circuito, no enchufe el calentador en un circuito que ya tenga otros electrodomésticos en funcionamiento.
16. Es normal que el enchufe esté tibio al tacto; sin embargo, un encaje flojo entre el tomacorriente AC (receptáculo) y el enchufe pueden causar sobrecalentamiento y distorsión del enchufe. Póngase en contacto con un electricista calificado para reemplazar el tomacorriente flojo o gastado.
17. El calor producido por este calentador puede variar y su temperatura se puede volver lo suficientemente intensa como para quemar la piel expuesta. No se recomienda la utilización de este calentador a personas con sensibilidad reducida al calor o con inhabilidad para reaccionar o evitar quemaduras.
18. **“GUARDE ESTAS INSTRUCCIONES”**

INSTRUCCIONES PARA DESEMPACAR Y CONFIGURAR

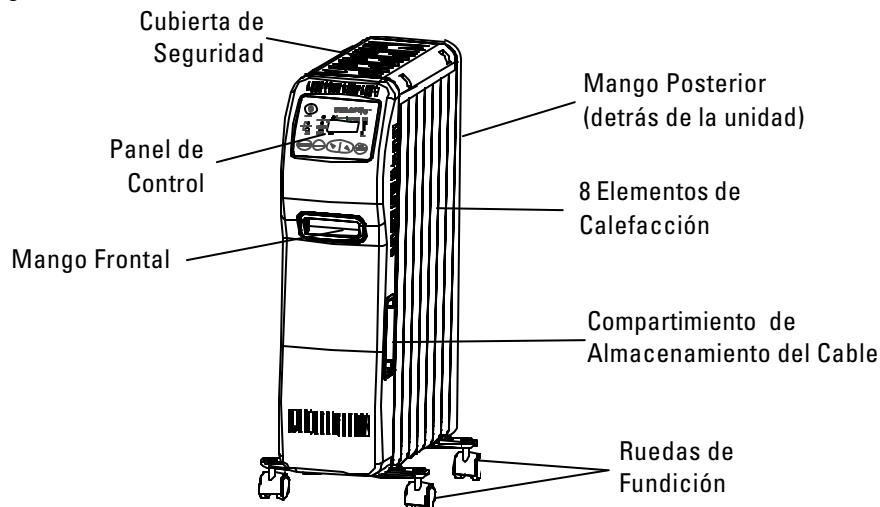
Desempaque su calentador y retire los dos ensamblajes de las ruedas del paquete. Consulte la Fig.1 abajo:

1. Asegúrese que el calentador esté desenchufado y en la posición "OFF".
2. **DE VUELTA AL CALENTADOR.**
3. Coloque la base ensamblada con las ruedas entre las aletas de los extremos como se muestra.
4. Inserte cada tornillo con forma de U en los agujeros de cada placa de sujeción de las ruedas.
5. De la vuelta al calentador, a su posición normal.
6. Inserte las tuercas mariposa y atornillelas firmemente.



Ahora su calentador está listo para usar.

PRECAUCIÓN: Riesgo de incendio - No utilice el calentador sin las ruedas ensambladas. Utilice el calentador sólo en posición vertical (las ruedas en la parte inferior, los controles en la parte superior). Cualquier otra posición puede crear una situación peligrosa.



¡IMPORTANTE!

Su calentador está equipado con un enchufe polarizado de corriente alterna (una de las partes del enchufe es más ancha que la otra). Este enchufe sólo se puede colocar en el tomacorriente de una manera. Ésta es una característica de seguridad. Si no puede insertar el enchufe totalmente en el tomacorriente, intente girando el enchufe. Si siguiera sin poder insertar el enchufe, póngase en contacto con su electricista para que reemplace el tomacorriente. **NO** desactive esta medida de seguridad del enchufe polarizado.

INSTRUCCIONES DE FUNCIONAMIENTO

Ubique el calentador en una superficie nivelada y firme, libre de obstrucciones, y al menos a 3 pies de distancia de cualquier pared u otros objetos como muebles, cortinas, plantas o materiales combustibles.

Para programar las funciones de su calentador electrónico con aceite, consulte el panel de control de la Fig. 2.

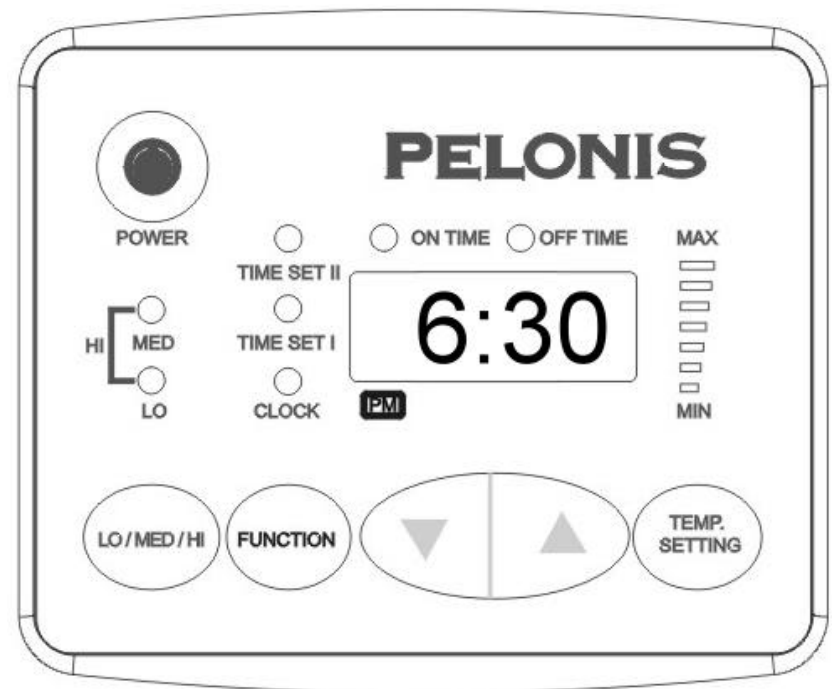


Fig. 2 - Vista del Panel de Control

- Oprima el botón "POWER" para encender el calentador (ON).
- Seleccione la potencia que desee con el botón LO/MED/HI. En la posición LO, el calentador funciona a 600 Vatios. En la posición MED, el calentador funciona a 900 Vatios. En la posición HI, el calentador funciona a 1500 Vatios.

Oprima el botón "TEMP SETTING" para elegir la temperatura deseada. Hay 7 posiciones entre MIN y MAX.

CONFIGURACIÓN DEL RELOJ

Este calentador tiene un reloj automático incorporado. Para configurar el reloj, consulte la Fig. 3 a continuación:

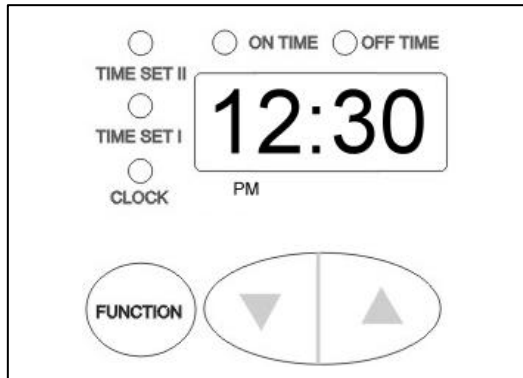


Fig. 3 - Vista de la Configuración del Reloj

1. Oprima el botón **"FUNCTION"** hasta que la luz del RELOJ y LED DE HORAS comiencen a parpadear.
2. Para configurar la HORA, oprima el botón ▲ o ▼ (si desea configurar una hora p.m., cerciórese de que la luz indicadora de PM. esté encendida). Luego oprima el botón **"FUNCTION"** nuevamente. El LED DE MINUTOS comenzará a parpadear.
3. Para configurar los MINUTOS, oprima el botón ▲ o ▼. Oprima el botón **"FUNCTION"** nuevamente para terminar de configurar.

Nota: Si en algún momento desenchufa el calentador, deberá configurar nuevamente el reloj.

CONFIGURACIÓN DE LOS TEMPORIZADORES (TIME SET I Y TIME SET II)

Este calentador cuenta con dos temporizadores automáticos que permitirán que el calentador se encienda y se apague en forma automática durante dos períodos de tiempo dentro de las 24 horas. Por ejemplo, usted puede configurar el primer temporizador (TIME SET I) para encender el calentador por la mañana antes de levantarse y luego apagarlo cuando se va a trabajar. También puede configurar el segundo temporizador (TIME SET II) para encender nuevamente el calentador a la tarde, cuando vuelve a su hogar, y apagarlo nuevamente cuando se va a dormir.

Puede hacer funcionar tanto uno como los dos temporizadores, de acuerdo a sus preferencias. Una vez configurado, el calentador funcionará 24 horas al día durante los períodos de tiempo elegidos.

Para configurar los temporizadores, consulte los ejemplos de la página siguiente.

Ejemplo de TIME SET I:

Para configurar el calentador para que se encienda (ON) a las 6:30 a.m. y se apague (OFF) a las 9:00 a.m.:

1. Oprima el botón **"FUNCTION"** hasta que las dos luces de **"TIME SET I"** y **"ON TIME"** comiencen a parpadear.
2. Para configurar la HORA, oprima el botón ▲ o ▼ hasta que aparezca **"6"**. Luego oprima el botón **"FUNCTION"** nuevamente. El LED DE MINUTOS comenzará a parpadear. Para configurar los MINUTOS, oprima el botón ▲ o ▼ hasta que aparezca **"30"**. Oprima el botón **"FUNCTION"** nuevamente para terminar de configurar.

Ahora el calentador está configurado para encenderse a las 6:30 a.m.

3. Oprima el botón **"FUNCTION"** hasta que las dos luces de **"TIME SET I"** y **"OFF TIME"** comiencen a parpadear.
4. Para configurar la HORA, oprima el botón ▲ o ▼ hasta que aparezca **"9"**. Luego oprima el botón **"FUNCTION"** nuevamente. El LED DE MINUTOS comenzará a parpadear. Para configurar los MINUTOS, oprima el botón ▲ o ▼ hasta que aparezca **"00"**. Oprima el botón **"FUNCTION"** nuevamente para terminar de configurar.

Ahora el calentador está configurado para apagarse a las 9:00 a.m.

Ejemplo de TIME SET II:

Para configurar el calentador para que se encienda (ON) a las 5:30 p.m. y se apague (OFF) a las 11:00 p.m.:

1. Oprima el botón **"FUNCTION"** hasta que las dos luces de **"TIME SET II"** y **"ON TIME"** comiencen a parpadear.
2. Para configurar la HORA, oprima el botón ▲ o ▼ hasta que aparezca **"5"** y la luz indicadora de P.M. se **ENCIENDA**. Luego oprima el botón **"FUNCTION"** nuevamente. El LED DE MINUTOS comenzará a parpadear. Para configurar los MINUTOS, oprima el botón ▲ o ▼ hasta que aparezca **"30"**. Oprima el botón **"FUNCTION"** nuevamente para terminar de configurar.

Ahora el calentador está configurado para encenderse a las 5:30 p.m.

3. Oprima el botón **"FUNCTION"** hasta que las dos luces de **"TIME SET II"** y **"OFF TIME"** comiencen a parpadear.
4. Para configurar la HORA, oprima el botón ▲ o ▼ hasta que aparezca **"11"** y la luz indicadora de P.M. se **ENCIENDA**. Oprima el botón **"FUNCTION"** nuevamente. El LED DE MINUTOS comenzará a parpadear. Para configurar los MINUTOS, oprima el botón ▲ o ▼ hasta que aparezca **"00"**. Oprima el botón **"FUNCTION"** nuevamente para terminar de configurar.

Ahora el calentador está configurado para apagarse a las 11:00 p.m.

Una vez que los temporizadores están configurados como se indica en los ejemplos anteriores, su calentador se encenderá durante la mañana a las 6:30 a.m. y se apagará a las 9:00 a.m., luego se encenderá nuevamente a las 5:30 p.m. y se apagará a las 11:00 p.m. Esto ocurrirá en forma continua 24 horas al día hasta que se desactiven los temporizadores o hasta que se desconecte la alimentación.

Una vez configurado un temporizador, su luz **VERDE** permanecerá **ENCENDIDA**. Luego, cuando el calentador se encienda durante el **HORARIO DE ENCENDIDO (ON TIME)** elegido, la luz verde se tornará **ROJA**, indicando que el calentador está **ENCENDIDO**. La luz volverá a tornarse verde cuando el calentador se apague una vez que llegue el **HORARIO DE APAGADO (OFF TIME)** configurado.

DESCONEXIÓN DE LOS TEMPORIZADORES (TIME SET I Y TIME SET II)

Usted puede desconectar uno o ambos temporizadores siguiendo los siguientes pasos:

Desconexión de TIME SET I:

Para desconectar TIME SET I, configure ON TIME y OFF TIME en "00:00".

Desconexión de TIME SET II:

Para desconectar TIME SET II, configure ON TIME y OFF TIME en "00:00".

CARACTERÍSTICAS ADICIONALES

Este calentador posee características adicionales:

- Cubierta de Seguridad - Ayuda a evitar que los niños o mascotas toquen la superficie superior caliente del calentador.
- Conveniente Mango de Traslado frontal y posterior con Resistentes Ruedas de Fundición - Permite un fácil transporte de cuarto a cuarto.
- Compartimiento de Almacenamiento del Cable - Guarda con prolijidad el cable de alimentación cuando el calentador no se encuentra en uso.

DIAGNÓSTICO DE AVERÍAS

Si su calentador no funciona, por favor siga estas instrucciones:

- Asegúrese de que su interruptor de circuito o fusible esté funcionando adecuadamente.
- Asegúrese de que el calentador esté enchufado y el tomacorriente esté funcionando adecuadamente.
- Verifique que no haya ninguna obstrucción. Si encuentra alguna obstrucción, coloque el calentador en la posición "**OFF**". Desenchufe el calentador y espere unos minutos hasta que se enfríe. Retire cuidadosamente la obstrucción. Enchufe el calentador y enciéndalo otra vez consultando las **INSTRUCCIONES DE FUNCIONAMIENTO**.

NOTA: SI TIENE UN PROBLEMA CON SU CALENTADOR, POR FAVOR VEA LA INFORMACIÓN DE LA GARANTÍA PARA INSTRUCCIONES. POR FAVOR NO INTENTE ABRIR O REPARAR EL CALENTADOR USTED MISMO. EL HACERLO PUEDE ANULAR LA GARANTÍA Y PUEDE CAUSAR DAÑOS O LESIONES PERSONALES. SI EL PROBLEMA TODAVÍA PERSISTE, POR FAVOR PÓNGASE EN CONTACTO CON NOSOTROS REFIRIÉNDOSE A LA INFORMACIÓN DE SERVICIO Y SOPORTE.

LIMPIEZA Y ALMACENAMIENTO

Se recomienda limpiar el calentador al menos una vez durante la temporada de utilización para proveer un óptimo nivel de desempeño. **SIEMPRE APAGUE Y DESENCHUFE EL CALENTADOR ANTES DE LIMPIARLO**. Asegúrese de guardar la caja para guardarlo en la estación en que no se utiliza.

- Coloque el calentador en la posición "**OFF**", desenchúfelo y espere que el calentador se enfríe.
- Utilice un paño seco para limpiar sólo las superficies externas del calentador.
- No utilice ningún agente de limpieza o detergentes.
- Nunca sumerja el calentador en agua.
- Empaque el calentador en su caja original y guárdelo en un lugar fresco y seco.

ESPECIFICACIONES

Modelo N°: HO-158E

Voltaje: 120V, 60Hz

Corriente: Consumo continuo máximo: 12.5 Amperes.

Calor producido: 5200 BTUs

Potencia: LO = 600 Vatios, MED = 900 Vatios, HI = 1500 Vatios

Tolerancia en todas las especificaciones: Aproximadamente +5%, -10%

SERVICIO Y SOPORTE

Para sugerencias sobre el uso de este calentador, para registrar la garantía de su calentador por medio de Internet, o para obtener información sobre otros productos de Pelonis USA, por favor visite nuestro sitio Web en www.pelonis.com

En caso de reclamos de garantía o si se necesita servicio para este calentador, por favor, póngase en contacto con nosotros a los siguientes números:

Gratis: 1-800-842-1289 o 1-610-695-8700 (Lunes-Viernes de 9:00 a.m. a 5:00 p.m. EST).
Envíenos un mensaje de correo electrónico a: service@pelonis.com

Para preguntas o comentarios, por favor escriba a:

Pelonis USA, Ltd.
A: Consumer Relations Department
P.O. Box 785
Malvern, PA 19355 EE.UU.

Para su registro, engrape su recibo de compra a este manual y registre lo siguiente:

FECHA DE COMPRA: _____

LUGAR DE COMPRA: _____

NÚMERO DE SERIE: _____

(ENGRAPE EL RECIBO DE VENTA AQUÍ)

**NOTA: SE REQUIERE UNA PRUEBA DE COMPRA
PARA TODOS LOS RECLAMOS DE GARANTÍA**

GARANTÍA LIMITADA DE CINCO (5) AÑOS

- Por favor lea todas las instrucciones antes de intentar utilizar este producto.
- Por favor devuelva la Tarjeta de Registro de la Garantía dentro de los quince (15) días desde la fecha de la compra de este producto.

Pelonis USA, Ltd., mencionada aquí como Pelonis USA, garantiza de forma limitada, como se explicita aquí, al comprador original que cada calentador Radiador Con Aceite Pelonis nuevo estará libre de defectos de materiales o mano de obra por el período de cinco (5) años desde la fecha de la compra original. Esta garantía de cinco (5) años está limitada a los elementos de calefacción, motor y circuitos del control eléctrico.

En caso de mal funcionamiento o avería de su calentador Radiador Con Aceite Pelonis, simplemente lleve o envíe el calentador, con un envío prepago junto con una **PRUEBA DE COMPRA**, dentro del período de la garantía de cinco (5) años, a Pelonis USA. Pelonis USA se reserva el derecho de inspeccionar la parte o partes supuestamente defectuosas para determinar si el reclamo por defecto o mal funcionamiento está cubierto por esta garantía. Dentro de los sesenta (60) días de recibido el producto, Pelonis USA, a su elección, reparará y/o reemplazará la parte o partes defectuosas sin cargo alguno. Esta garantía sólo cubrirá defectos que surjan de una utilización normal. Pelonis USA no asume ninguna responsabilidad si el calentador Radiador Con Aceite se averiara durante el período de la garantía debido a:

- Mal uso, negligencia, daño físico o accidentes.
- Falta de mantenimiento (vea las instrucciones de mantenimiento adecuado).
- Reparación por alguna parte no autorizada durante el período de garantía.
- Daños causados por conexión a un voltaje inapropiado (vea la etiqueta de especificación en su calentador).

Pelonis USA no otorga más garantías o representaciones, expresas o implícitas excepto las que se mencionan aquí. Ningún representante o vendedor está autorizado a asumir cualquier otra responsabilidad relacionada con el calentador Radiador Con Aceite. La duración de la garantía implícita otorgada bajo las leyes del Estado, incluyendo garantías de comercialización y aptitud para un propósito en particular están limitadas en duración si la duración de la garantía expresa lo otorgara a continuación. Pelonis USA no será en ningún caso responsable por daños directos, indirectos, especiales o consecuenciales.

Algunos estados no permiten limitaciones sobre la duración de una garantía implícita, y/o las limitaciones o exclusiones anteriores pueden no aplicarse a usted. Esta garantía le ofrece derechos legales específicos y usted puede tener otros derechos, que varían de estado a estado.

Si su calentador Radiador Con Aceite se averiara bajo los términos de esta garantía limitada, póngase en contacto con Pelonis USA al 1-800-842-1289 o al 1-610-695-8700 (Lunes-Viernes de 9:00 a.m. a 5:00 p.m. EST).