

---

# Kozy-World PORTABLE GAS-FIRED HEATER

---

USER'S INSTALLATION, OPERATION AND MAINTENANCE MANUAL  
MODEL:KWP800 (PROPANE, 8,000/4,500 BTU/HR)



**WARNING** : IF THE INFORMATION IN THIS MANUAL IS NOT FOLLOWED EXACTLY, A FIRE OR EXPLOSION MAY RESULT CAUSING PROPERTY DAMAGE, PERSONAL INJURY OR LOSS OF LIFE.

- DO NOT STORE OR USE GASOLINE OR OTHER FLAMMABLE VAPORS AND LIQUIDS IN THE VICINITY OF THIS OR ANY OTHER APPLIANCE.
- AN LP CYLINDER NOT CONNECTED FOR USE SHALL NOT BE STORED IN THE VICINITY OF THIS OR ANY OTHER APPLIANCE.
- WHAT TO DO IF YOU SMELL GAS
  - **DO NOT TRY TO LIGHT APPLIANCE.**
  - **EXTINGUISH ANY OPEN FLAME.**
  - SHUT OFF GAS TO APPLIANCE.
- SERVICE MUST BE **PERFORMED** BY A **QUALIFIED** SERVICE AGENCY.

CALIFORNIA PROP 65- FUELS IN GAS OR OIL-FIRED APPLIANCES AND THE PRODUCTS OF COMBUSTION OF SUCH FUELS, CONTAIN CHEMICALS KNOWN TO THE STATE OF CALIFORNIA TO CAUSE CANCER, BIRTH DEFECTS AND OTHER REPRODUCTIVE HARM.

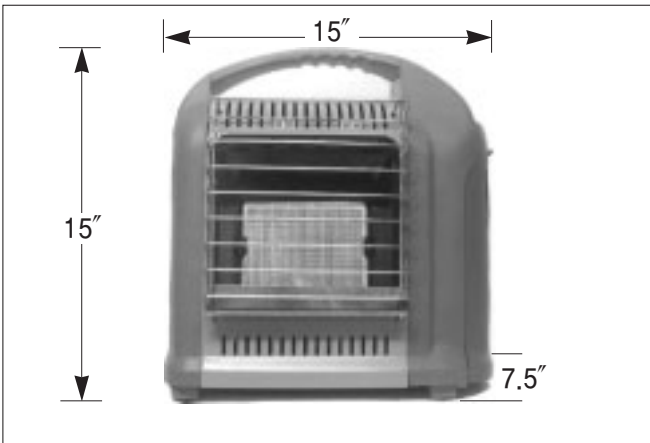
THIS IS AN UNVENTED GAS-FIRED HEATER IT USES AIR (OXYGEN) FROM THE AREA IN WHICH IT IS USED. ADEQUATE COMBUSTION AND VENTILATION AIR MUST BE PROVIDED. REFER TO PARE 2.

 **CONSUMER** : RETAIN THIS MANUAL FOR FUTURE REFERENCE.

## TABLE OF CONTENTS

• Specifications .....	2
• General Safety Instructions .....	3
• Unpacking Heater .....	4
• Product Features .....	4
• Installations .....	4
• Self Contained Propane(LP) System .....	4
• Remote Refillable Propane(LP) System .....	5
• Lighting & Shutdown Instructions .....	6
• Storage & Maintenance .....	7
• Troubleshooting .....	9
• Parts List .....	10
• Warranty Information	

### SPECIFICATIONS;



MODEL NO.	KWP800
GAS	PROPANE
INPUT RATING	8,000/4,500 BTU/HR
REGULATOR SETTING	11.0" W.C.
MANIFOLD PRESSURE	10.7" W.C.
HEATER SIZE(H×W×D)	15" × 15" × 7.5"
WEIGHT	7.1lbs. (3.2kg)

➤ **NOTE:** For altitudes above 2,000feet, reduce the input ratings (Btu/hr) 4% for each 1,000 feet above sea level.

**"DO NOT USE THIS HEATER AT AN ELEVATION ABOVE 4,500 FEET"**

## GENERAL SAFETY INSTRUCTIONS:

Accidents are always tragic, especially because so many of them could have been prevented with little care and judgment. The following are basic good practices, we hope you will follow for the safe use of your heater.

**IMPORTANT:** Read this user's manual carefully and completely before trying to operate or service this heater. Improper use of this heater can cause serious injury or death from burns, fire, explosion and carbon monoxide poisoning.

## PRECAUTIONS:

- Due to high temperature, the appliance should be located out of traffic and away from combustible materials.
- Children and adults should be alerted to the hazard of high surface temperature and should stay away to avoid burns or clothing ignition.
- Young children should be carefully supervised when they are near the appliance.
- Do not place clothing or other flammable material on or near the appliance.
- Any safety screen or guard removed for servicing the appliance must be replaced prior to operating the heater.
- The appliance should be inspected before each use, frequent cleaning may be required. The control compartment, burners and circulating air passageways of the appliance must be kept clean.
- **WARNING:** Any change to the heater or its controls can be dangerous.

Do not use this heater if any part has been under water, immediately call a qualified service technician to inspect the heater and to replace any part of the control system and any gas control which has been under water.

- This heater can only be used in a recreational or commercial enclosure with a window or roof vent. This heater is

not for outdoor use.

- This heater requires an open area (window or roof vent) of & square inches for adequate combustion and ventilation air.
- **WARNING:** If the recreational or commercial enclosure does not have a window or roof vent, **DO NOT USE THIS HEATER** inside. Do not use this heater while vehicle is moving.
- When used without adequate combustion and ventilation air. This heater may give off excessive **CARBON MONOXIDE**, an odorless, poisonous gas.

**WARNING:** Early signs of carbon monoxide poisoning resemble the flu, with headache, Dizziness And/or nausea. If you have these signs, heater may not be working properly. Get fresh air at once! Have heater serviced.

Some people—pregnant women, persons with heart or lung disease, anemia, those under the influence of alcohol, those at high altitudes—are more effected by carbon monoxide than others.

- Always maintain proper clearances from combustible materials. Minimum clearance from combustibles: Side 6"; Rear 0"; Ceiling 30"; and Front 24".

➤ **CAUTION:** Do not use the heater while sleeping.

- Repair should be done by a qualified service person. The heater should be inspected before and at least annually by a qualified person. More prequent cleaning may be required as necessary. It is imperative that control compartment, burner and circulating air passages of the heater be kept clean.
- A minimum supply pressure of 11" W. C. is required for the purpose of input adjustment. Any replacement regulator must be CSA or UL listed. The minimum inlet pressure to the regulator from the gas cylinder is 5 psi and maximum

pressure is 150 psi.

- Propane cylinder must be disconnected when the heater is not in use.
- Never refill disposable cylinder.

## UNPACKING:

- Remove heater from carton.
- Remove all protective packaging applied to heater for shipment.
- Check heater for any shipping damage. If heater is damaged, promptly inform dealer/distributor where you bought the heater.

## PRODUCT FEATURES:

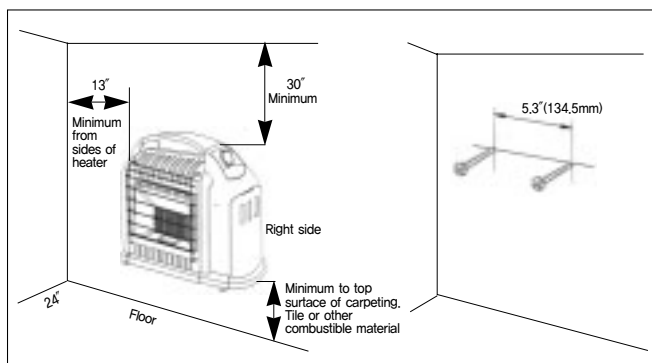
- Self Contained
- Oxygen Depletion Sensor Shutoff System
- Integral/Positive Piezo Igniter
- Swivel Valve For Easy Gas Connection
- Tip-over Safety Shutoff System

### ➤ CAUTION: If you install the heater in a home garage:

- Heater must be at least 18 inches above floor.
- Locate heater where moving vehicle will not hit it.

**INSTALLATION:** Select a location for the heater that will provide maximum exposure of the radiant heat surface to the room, but will not be subjected to accidental contact.

Adequate clearances that must be available around the air opening, see figures below for clearances that must be maintained to the side walls, floor and horizontal surface surrounding the heater maintained at all times.



## SELF CONTAINED PROPANE GAS SYSTEM:

The self contained gas system for this heater is designed to be used with a 16.4 oz (1 lb.) propane gas cylinder(disposable). Gas cylinder must be constructed and marked in accordance with specifications of the U.S. Department of Transportation for propane gas cylinders.

- ☞ Use only cylinders marked with propane.
- ☞ Never refill disposable propane cylinders.

## PROPANE CYLINDER ATTACHMENT TO HEATER:

- Turn gas control knob to “OFF” position.
- Remove cylinder enclosure door as shown in Fig. 1. Lift and rotate gas pressure regulator upwards as shown in Fig. 2.

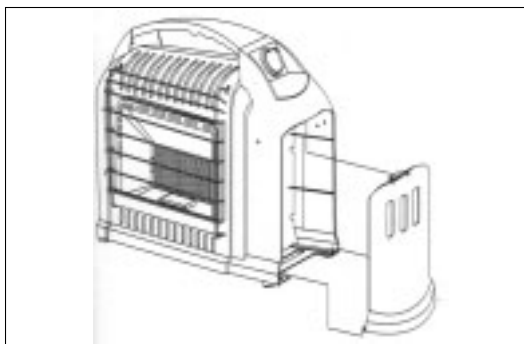


Fig. 1

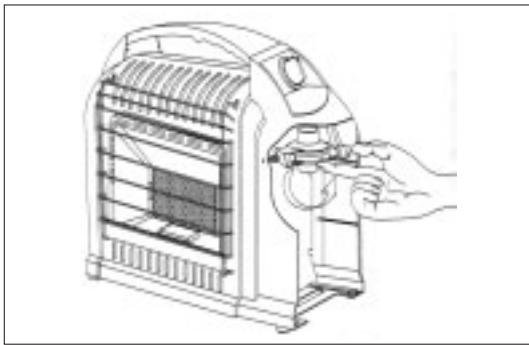


Fig. 2

- Attach only 16.4 oz (1 lb.) propane cylinder to regulator inlet fitting by turning cylinder clockwise as shown in Fig. 3, Push and rotate gas cylinder downwards as shown in Fig. 4, till it is vertically centered in the cylinder enclosure as shown in Fig. 5.



Fig. 3

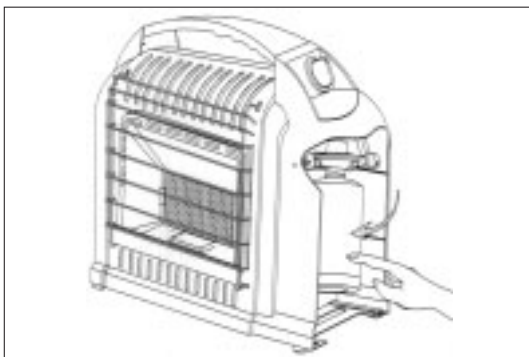


Fig. 4

### PROPANE CYLINDER REMOVAL:

- Lift and rotate propane cylinder as shown in Fig. 6. Disconnect cylinder by turning counter clockwise.

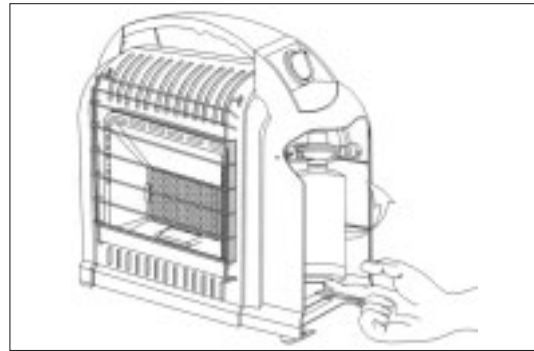


Fig. 5



Fig. 6

☞ Disposable cylinder must be disconnected when the heater is not in use.

### REMOTE, REFILLABLE PROPANE (LP) SYSTEM:

Could be connected to a 20 lbs. propane (LP) gas cylinder, providing the gas system is installed by a qualified service person. Gas cylinder must be constructed and marked in accordance with specifications of the U.S. Department of Transportation for propane gas cylinders and must also be equipped with the following:

- A collar to protect the propane gas valve.

- A listed overfilling prevention device.
- A shutoff valve terminating a propane gas cylinder valve outlet QCV–Type 1.
- A safety relief valve having direct contact with the vapor space of the cylinder.
- An arrangement of vapor withdrawal.


This heater may be used in a recreational enclosure or temporary construction work enclosure with a remote refillable propane cylinder **ONLY** when the cylinder is located outdoors and the heater is used with hose kit No 20–7500.

- Always inspect the hose before each use of the heater. If it is evident there is excessive abrasion or wear, or the hose is cut, it must be replaced prior to the heater being put into operation with the Kit No. 20–7500.



**⚠ Never bring a refillable propane cylinder indoors. A fire or explosion can occur causing property damage, serious injury or death.**

**LEAK CHECKING:** Check all gas connections with a soap solution to be sure they are tight and leak proof. To make soap solution, mix one part water with one part liquid detergent. With the gas valve knob in the OFF position, connect disposable cylinder or open valve at remote cylinder valve. Apply soap solution to all gas connections. Soap bubbles will appear if connections are not properly sealed, repair as necessary.


### LIGHTING/OPERATING INSTRUCTINS:

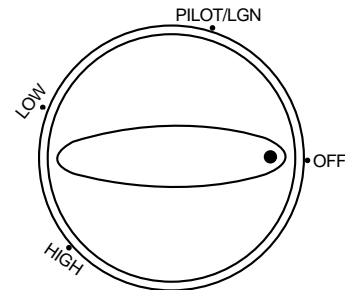
1. Turn gas control knob clockwise  to “OFF” position.
2. Remove cylinder enclosure door for disposable cylinder:
3. Turn gas supply “ON” by connecting propane cylinder to regulator inlet or open cylinder valve at remote cylinder.

Check for leaks by applying soap solution to cylinder and regulator connection.

4. Push in gas control knob slightly and turn counterclockwise  to “PILOT/IGN”. This will light the pilot burner. If needed, keep depressing and turning control knob counterclockwise until the pilot burner lights.
5. Keep the control knob depressed for at least 30 seconds after lighting pilot burner. After 30 seconds release control knob.
6. If pilot burner does not stay lit,repeat steps 4&5.
7. When pilot burner is lit, turn gas control knob counterclockwise  to LOW position or HIGH setting.
8. Replace cylinder enclosure door.


### • RELIGHTING:

- a) Turn gas control knob clockwise  to “OFF” position.
- b) Wait five(5) minutes before tempting to re–light pilot burner.
- c) Repeat steps 4 and 5.



CONTROL KNOB POSITIONS

### SHUTDOWN INSTRUCTIONS:

- a. Turn gas control knob clockwise  to “OFF” position and also, close valve at remote refillable propane cylinder.
- b. Remove cylinder enclosure door for disposable cylinder.
- c. Disconnect disposable propane cylinder and replace cylinder enclosure door.

**NOTE:** Heater takes few minutes for the burner plaque to glow bright orange, it is normal and the heater is operating properly.

➤ **CAUTION:** After heater shutdown, heater guard area will remain hot. Allow approx. 20 minutes for cooling before storing.

**STORAGE:** Never store propane cylinder inside a building or in the vicinity of any gas or oil burning appliance. Cylinder must be disconnected and removed from the cylinder enclosure and stored outdoors in a well ventilated area out of reach of children, in accordance with the standard for storage & handling of liquefied gases ANSI/NFPA 58–latest edition. The plastic cap supplied with propane cylinder must be tightly installed when the cylinder is disconnected from the heater.

## MAINTENANCE:

Dust, lint or debris may affect heater performance. The heater draws air into it during normal operation. In the process dust, lint or debris will be drawn into the heater and spider webs can build up during off season.

## SAFETY

# BEWARE OF SPIDERS

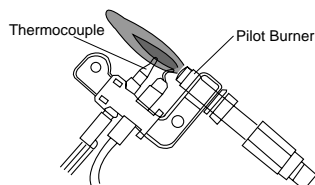


CAUTION : BURNER TUBES MUST BE INSPECTED AND CLEANED BEFORE FIRST USE.

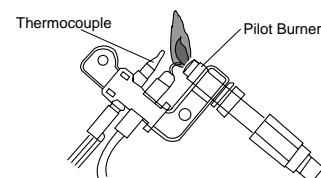
Spiders and small insects occasionally spin webs or make nests in the burner tubes and or orifices during warehousing and transit. These webs or nests can lead to a gas flow obstruction, which could result in a fire in and around the burner tubes. This type of fire is known as FLASH BACK and can cause serious damage to your patio heater and create an unsafe operating condition for the user. Although an obstructed burner tube is not the only cause of FLASH BACK, it is the most common cause, and frequent inspections and cleaning of the burner tubes is necessary.

The manufacturer recommends initial and annual inspection along with the following recommendations:

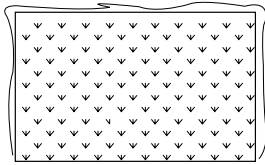
- Keep heater area clear and free from combustible materials, gasoline and other flammable vapors and liquids.
- Never obstruct the flow of combustion and ventilation air.
- Visually inspect the pilot and main burner flames periodically by comparison with the following flame patterns:



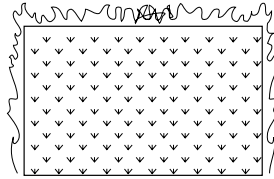
**CORRECT**



**INCORRECT**



**CORRECT**



**INCORRECT**

➤ **Repair should be done by a qualified service person.**

👉 **WARNING:** If yellow tipping occurs, your heater could produce increased levels of carbon monoxide. If burner flame pattern shows yellow tipping, follow the burner and cleaning.

**NOTICE :** Do not mistake orange flames with yellow tipping. Dirt or other particles etc. entering the heater and causing transient patches of orange.

- Cleaning of the combustion and ventilation air passageways of the heater, burner, burner venturi and main burner crifice should be done at least once a year or immediately upon indication of any of the following symptoms:
- Flash back.
- Smell of aldehydes together with yellowish flames.
- Diminished plaque glow.

**Burner and ODS Pilot cleaning** – Clean the exterior with soft bristle brush, vacuum cleaner or pressurized air. Never use a wooden toothpick as it may break off and clog the ODS pilot or main burner port.

Use a flashlight to inspect the main burner inlet to ensure that it is not blocked. If obstruction can be seen, use a metal wire to remove it.

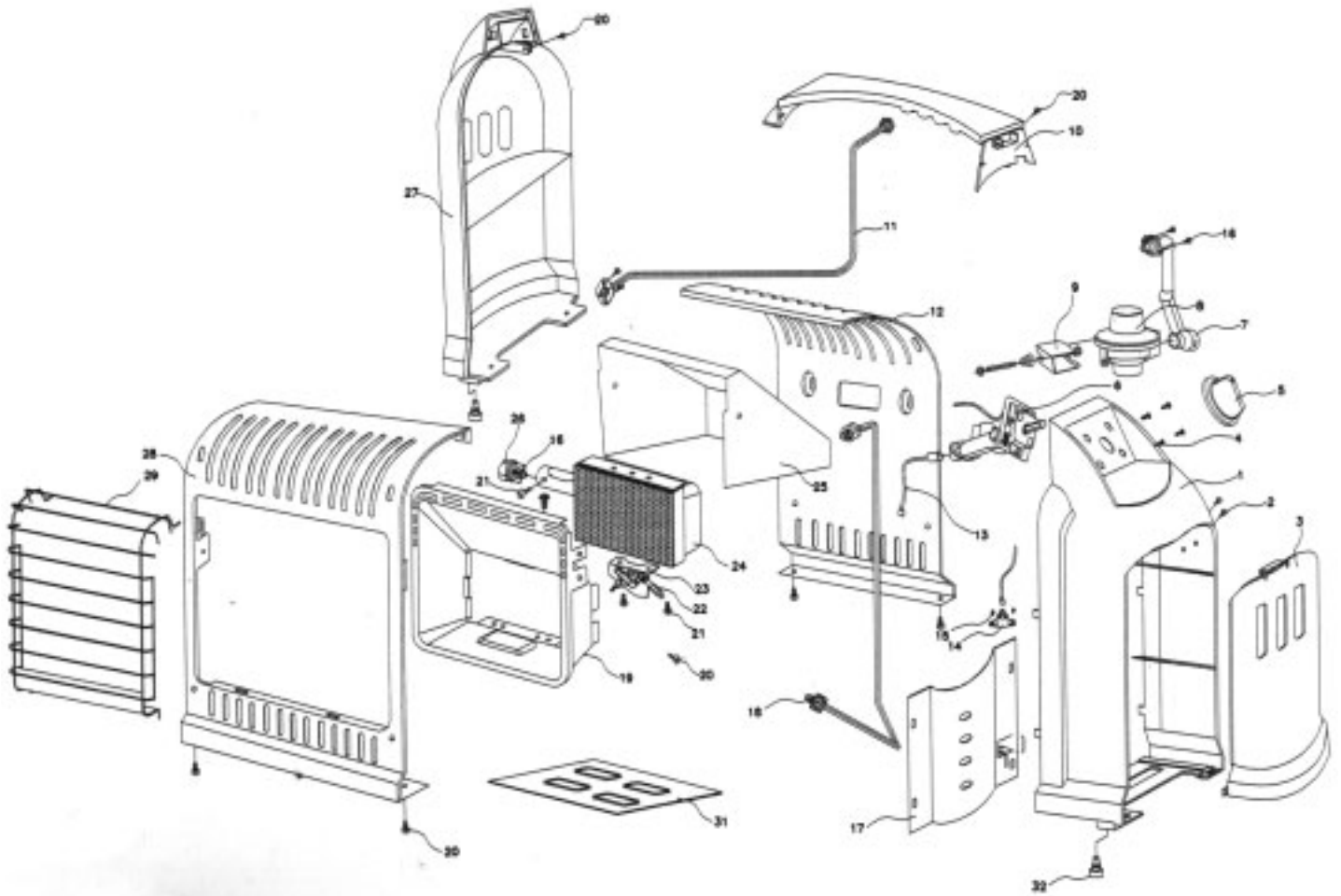
In order to clean ODS pilot orifice, use pressurized air to blow dust out. Sometimes blowing air backwards through the pilot will get rid of the accumulated dirt. If that does not work, blow out any dust through primary air openings: one beneath the bimetal strip and the second one opposite from bimetal strip. Use the wide open one, do not try to lift the bimetal.

**Air passageways & Unit Casings** – Use a vacuum cleaner or pressurized air to clean the combustion and circulating air passageways and dampened cloth to clean the casing.

## TROUBLESHOOTING

PROBLEM	POSSIBLE CAUSE	WHAT TO DO
Piezo igniter does not produce spark, when control knob is pressed in and turned counterclockwise to ignition.	<ol style="list-style-type: none"> <li>1. Spark electrode positioned wrong.</li> <li>2. Spark electrode broken.</li> <li>3. Piezo igniter defective.</li> <li>4. Igniter cable not connected to spark electrode.</li> </ol>	<ol style="list-style-type: none"> <li>1. Adjust spark gap and/or replace spark electrode.</li> <li>2. Replace spark electrode.</li> <li>3. Replace piezo igniter.</li> <li>4. Connect cable to spark electrode.</li> </ol>
Piezo igniter produces spark at the electrode, when control knob is pressed in and turned counterclockwise but no pilot ignition.	<ol style="list-style-type: none"> <li>1. Gas supply turned off.</li> <li>2. Control knob not in pilot position.</li> <li>3. Control knob not pressed in while in pilot position.</li> <li>4. ODS pilot is clogged.</li> </ol>	<ol style="list-style-type: none"> <li>1. Correct disposable cylinder or connect hose and turn on valve at remote cylinder (20lb).</li> <li>2. Turn control knob to pilot position.</li> <li>3. Press in control knob while in pilot position.</li> <li>4. Clean ODS pilot (see pg. 8)</li> </ol>
ODS pilot lights but flame goes out when control knob is released.	<ol style="list-style-type: none"> <li>1. Control knob not depressed long enough.</li> <li>2. Pilot flame not touching the thermocouple.</li> <li>3. Thermocouple damaged.</li> <li>4. Thermocouple connection loose at safety valve.</li> <li>5. Defective gas control.</li> </ol>	<ol style="list-style-type: none"> <li>1. After ODS pilot lights, keep control knob depressed for approx. 30 seconds.</li> <li>2. Call a qualified service person.</li> <li>3. Replace thermocouple.</li> <li>4. Hand tight until snug then tighten 1/4 turn with a wrench.</li> <li>5. Replace gas control.</li> </ol>
Burner does not light after ODS pilot is lit.	<ol style="list-style-type: none"> <li>1. Burner orifice is clogged.</li> </ol>	<ol style="list-style-type: none"> <li>1. Clean burner orifice.</li> </ol>
Burner plaque does not glow.	<ol style="list-style-type: none"> <li>1. Plaque is damaged.</li> <li>2. Inlet gas pressure is too low.</li> <li>3. Control knob set between locked positions.</li> </ol>	<ol style="list-style-type: none"> <li>1. Replace burner.</li> <li>2. Replace gas cylinder.</li> <li>3. Turn control knob until it locks at desired setting.</li> </ol>
Heater shuts off during operation.	<ol style="list-style-type: none"> <li>1. Not enough fresh air is available.</li> <li>2. Low gas pressure.</li> <li>3. ODS pilot partially clogged.</li> <li>4. Tilt switch in trip angle.</li> </ol>	<ol style="list-style-type: none"> <li>1. Open window.</li> <li>2. Replace gas cylinder.</li> <li>3. Clean the pilot.</li> <li>4. Reset tilt switch</li> </ol>

# PARTS LIST



## PARTS LIST

NO	DESCRIPTION PART	PART NO.	Q' TY
1	SIDE-R	1BH0002	1
2	COUNTERSUNK HEAD SCREW		2
3	DOOR	2BH0001	1
4	COUNTERSUNK HEAD SCREW		4
5	KNOB	3PHI008	1
6	VALVE ASS'Y	DMV-100PK	1
7	CONNECTOR BODY ASS'Y		2
8	REGULATOR ASS'Y	3PHZ017B	1
9	REGULATOR SUPPORTER	3PHZ010A	1
10	HANDLE	2BH0002	1
11	TUBING OUTLET ASS'Y	2BH0006	1
12	REAR PANEL	1BH0004	1
13	MPU LEAD WIRE	4D00582	1
14	TIP OVER S/W		1
15	TAPPING SCREW		2
16	NOZZLE	4D00465B	1
17	SIDE COVER	2BH0004	1
18	TUBING ODS ASS'Y	2BH0007	1
19	DEFLECTOR	1BH0003	1
20	TAPPING SCREW		8
21	TAPPING SCREW		4
22	ODS ASS'Y	DS98TL05	1
23	ODS BKT	RCP27XD0	1
24	BURNER ASS'Y	2BH0008	1
25	HEAT COVER	2BH0003	1
26	NOZZLE HOLDER	3BH0007	1
27	SIDE-L	1BH0001	1
28	FRONT PANEL	1BH0005	1
29	GUARD ASS'Y	1BH0006	1
30	MACHINE SCREW		2
31	BASE COVER	2BH0005	1
32	LEG	4BH0001	1

## LIMITED WARRANTY

This limited warranty is extended to the original retail purchaser of this heater and warrants against any defect in materials and workmanship for a period of 1 year from the date of retail sale. World Marketing of America, Inc., at it's option will either provide replacement parts, replace or repair the unit, when properly returned to us. (shipping costs, labor costs, etc. are the responsibility of the purchaser)

### DUTIES OF THE OWNER:

This heating appliance must be operated in accordance with the written instructions furnished with this heater. This warranty shall not excuse the owner from properly maintaining this heater in accordance with the written instructions furnished with this heater. A bill of sale, canceled check or payment record must be kept to verify purchase date and establish warranty period. Original carton should be kept in case of warranty return of unit.

### WHAT IS NOT COVERED:

1. Damage resulting from use of improper fuel.
2. Damage caused by misuse or use contrary to the owners manual and safety guidelines.
3. Damag caused by lack of normal maintenance.
4. Use of non-standard parts or accessories.
5. Damage caused in transit.  
Freight charges on warranty parts or heaters to and from the factory shall be responsibility of the owner.

This warranty does not imply or assume any responsibility for consequential damages that may result from the use, misuse or the lack of routine maintenance of this heating appliance. A cleaning fee and the cost of parts may be charged for a appliance failures resulting from lack of maintenance. This warranty does not cover claims which do not involve defective workmanship or materials.

THIS LIMITED WARRANTY IS GIVEN TO THE PURCHASER IN LIEU OF ALL OTHER WARRANTIES. EXPRESSED OR

IMPLIED, INCLUDING BUT NOT LIMITED TO THE WARRANTIES OF MERCHANTABILITY OF FITNESS FOR A PARTICULAR PURPOSE. THE REMEDY PROVIDED IN THIS WARRANTY IS EXCLUSIVE AND IS GRANTED IN LIEU OF ALL OTHER REMEDIES. IN NO EVENT WILL WORLD MARKETING OF AMERICA BE LIABLE FOR INCIDENTAL OR CONSEQUENTIAL DAMAGES.

Some states do not allow limitations on how long an implied warranty lasts, so the above limitation may not apply to you. Some states do not allow the exclusion or limitation of incidental or consequential damages of the above limitation or exclusion may not apply to you.

### CLAIMS HANDLED AS FOLLOWS:

1. Contact us at 1-814-643-2299. Do not return the heater to place of purchase.
2. Write or email our Warranty Dept., noting the heater model, the problem, copy of the sales receipt or date of purchase.  
Send letter to the attention of "Warranty Claims Administrator."
3. DO NOT RETURN THE HEATER TO WORLD MARKETING OF AMERICA, INC. unless instructed to do so by our Representative. This warranty gives you specific legal rights and you may also have other rights which vary from state to state.

DO NOT RETURN THE HEATER TO PLACE OF PURCHASE.

MODEL: \_\_\_\_\_

DATE OF PURCHASE: \_\_\_\_\_

PLACE OF PURCHASE: \_\_\_\_\_

Please complete and retain for your records.

## World Marketing of America, Inc.

PO Box 192, Route 22 West,  
Mill Creek, PA 17060-0192

Phone: 1-814-643-2299

www.worldmktng.com