

PORTABLE
FORCED AIR HEATERS
“USER’S MANUAL”



MODEL : DFA-400T



Before the first use of this heater, please read this USER’S MANUAL very carefully. This USER’S MANUAL has been designed to instruct you as to the proper manner in which to assemble the heater, maintain the heater, store the heater, and most importantly, how to operate the heater in a safe and efficient manner. Please keep this manual for future reference.

World Marketing of America, Inc.
12256 William Penn Hwy
Mill Creek, PA 17060
1- 800 - 776 - 9425 (9AM - 4PM EST)
MON.- FRI. ONLY
www.yourheater.com

**NEVER LEAVE THE HEATER
UNATTENDED WHILE BURNING!**

⚠ DANGER: IMPROPER USE OF THIS HEATER CAN RESULT IN SERIOUS INJURY OR DEATH FROM BURNS, FIRE, EXPLOSION, ELECTRICAL SHOCK AND/OR CARBON MONOXIDE POISONING.

⚠ WARNINGS:

1. RISK OF INDOOR AIR POLLUTION!

- Use this heater only in well ventilated areas. Provide at least a three-square foot (2,800 sq. cm.) opening of fresh outside air for each 100,000 BTU/hr. of heater rating.
- People with breathing problems should consult a physician before using the heater.
- **Carbon monoxide poisoning:** Early signs of carbon monoxide poisoning resemble the flu, with headaches, dizziness and/or nausea. If you have these signs, the heater may not be working properly.
Get fresh air at once! Have the heater serviced. Some people are more affected by carbon monoxide than others. These include pregnant women, persons with heart or lung disease or anemia, those under the influence of alcohol, or those at high altitudes.
- Never use this heater in living or sleeping areas.

2. RISK OF BURNS/FIRE/EXPLOSION!

- NEVER use any fuel other than 1-K kerosene, #1 diesel/fuel oil in this heater.
- NEVER use fuel such as gasoline, benzene, paint thinners or other oil compounds in this heater.
(RISK OF FIRE OR EXPLOSION)
- NEVER use this heater where flammable vapors may be present.
- NEVER refill the heaters fuel tank while heater is operating or is still hot.

⚠ CAUTION : Hot while in operation. Do not touch. Keep children, clothing and combustibles away from heater.

Minimum Clearances: Outlet: 8 feet (250cm) / Sides, top and rear: 4 feet (125cm)

- NEVER block air inlet (rear) or air outlet (front) of heater.
- NEVER use duct work in front or behind of heater.
- NEVER move, handle, service a hot, operating or plugged in heater.
- NEVER transport heater with fuel in it's tank.
- When used with an optional thermostat or if equipped with a thermostat heater may start at any time.
- ALWAYS locate heater on a stable and level surface.
- ALWAYS keep children and animals away from heater.
- Bulk fuel storage should be a minimum of 25 ft. from heaters, torches, portable generators or other sources of ignition. All fuel storage should be in accordance with federal, state or local authorities having jurisdiction.

3. RISK OF ELECTRIC SHOCK!

- Use only the electrical power (voltage and frequency) specified on the model plate of the heater.
- Use only a three-prong, grounded outlet and extension cord.
- ALWAYS install the heater so that it is not directly exposed to water spray, rain, dripping water or wind.
- ALWAYS unplug the heater when not in use.

PROPOSITION 65 WARNING: Fuels used in gas, wood-burning or oil fired appliances, and the products of combustion of such fuels, contain chemicals known to the State of California to cause cancer, birth defects and other reproductive harm.

MASSACHUSETTS RESIDENTS: Massachusetts state law prohibits the use of this heater in any building which is used in whole or in part for human habitation. Use of this heating device in Massachusetts requires local fire dept. permit (M.E.L.C. 148, Section 10A.)

CANADIAN RESIDENTS: Use of this heater shall be in accordance with authorities having jurisdiction and CSA Standard B139.

NEW YORK CITY RESIDENTS: For use only at construction sites in accordance with applicable NYC codes under NYCFD certificate of approval # 5034 and 5037.

**NEVER LEAVE THE HEATER
UNATTENDED WHILE BURNING!**

CONTENTS OF USER'S MANUAL

<u>ITEM</u>	<u>PAGE #</u>
PRECAUTIONS - SAFETY GUIDE	1
1. INTRODUCTION	2
2. FEATURES	2
3. UNPACKING AND ASSEMBLY	3
4. KEROSENE (1-K OR NO. 1 FUEL OIL)	4
5. OVERVIEW OF HEATER DESIGN	5
6. FUELING YOUR HEATER	5
7. OPERATION	6
8. LONG TERM STORAGE OF YOUR HEATER	8
9. MAINTENANCE	9
10. TROUBLE SHOOTING GUIDE	14
11. WIRING DIAGRAM	15
12. SPECIFICATIONS	16
13. EXPLODED PARTS DRAWING	17
14. PARTS LIST	18

1. INTRODUCTION

Please read this USER'S MANUAL carefully. It will show you how to assemble, maintain, and operate the heater safely and efficiently to obtain full benefits from its many built-in features.

2. FEATURES

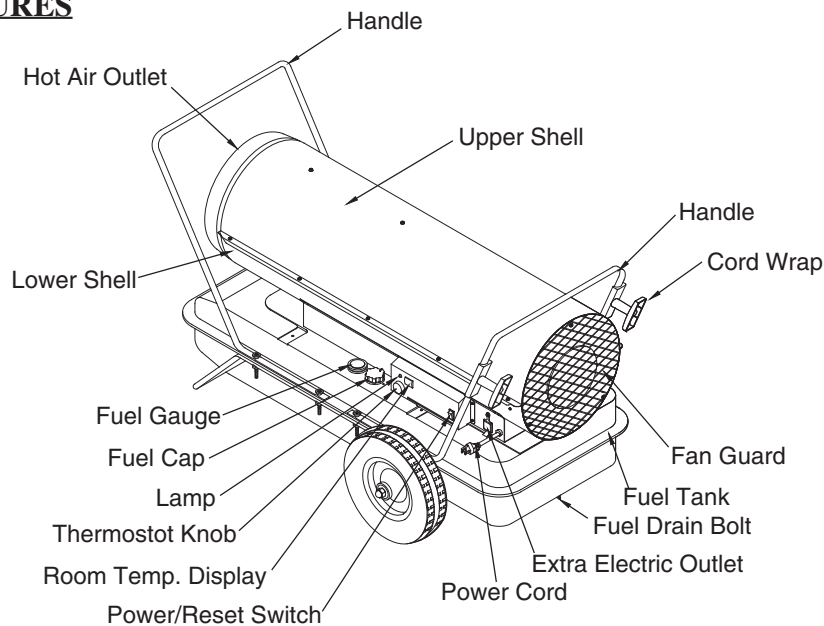


Figure 1. DFA-400T MODEL

**NEVER LEAVE THE HEATER
UNATTENDED WHILE BURNING!**

3. UNPACKING AND ASSEMBLY

1. REMOVE THE HEATER AND ALL PACKING MATERIALS FROM THE BOX. (See Fig.2)

NOTE: Save the shipping carton and packing materials for future storage.

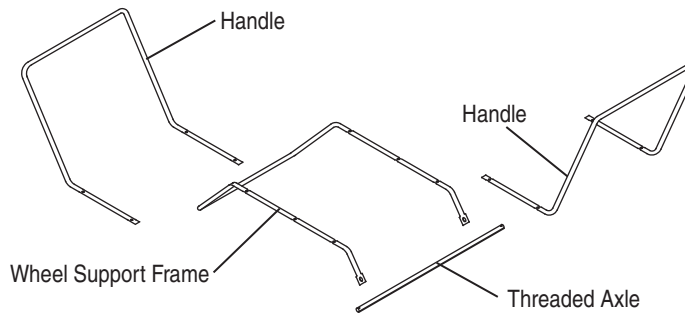
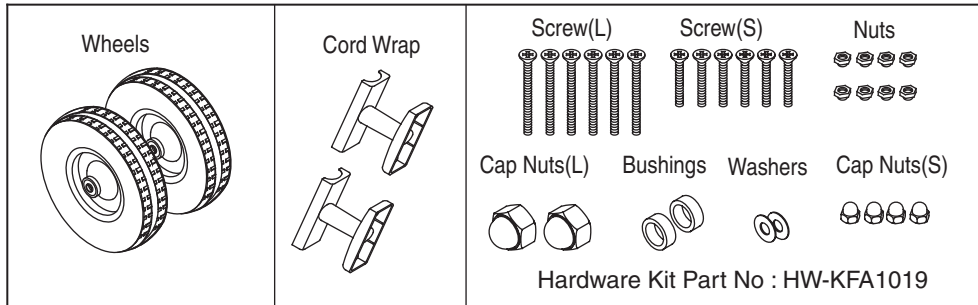


Figure 2. PACKING MATERIALS

2. ASSEMBLING

Tools Required

- Medium Phillips Screwdriver
- 24 mm Socket Wrench

Assembling wheel & handle & cord wrap

- 1) Slide threaded axle through the rear section of the wheel support frame.

NOTE : When installing wheels, tube valve should face out from support frame (Figure 3).

- 2) Slide one axle bushing on to each side of the axle. Slide one wheel on to each side of the axle.

Attach one cap nut on to each side of the threaded axle and tighten well.

- 3) Place heater on wheel support frame. Make sure air inlet end (rear) of heater is over wheels. Align the holes on fuel tank flange. Insert screws(L) through handles (front and Rear), fuel tank flange, and wheel support frame. Insert screws(S) through rear handle, fuel tank flange, and washer(S) as shown in figure 3 and attach nut finger tight after each screw is inserted.

- 4) After all screws are inserted, tighten nuts firmly.

- 5) Align the hole on the rear handle with the mounting hole on the cord wrap.

- 6) Insert screws through cord wrap, rear handle as shown in Figure 3 and attach nut finger tight after each screw is inserted.

- 7) After all screws are inserted, tighten nuts firmly.

⚠ CAUTION: DO NOT OPERATE heater without support frame assembled to tank.

**NEVER LEAVE THE HEATER
UNATTENDED WHILE BURNING!**

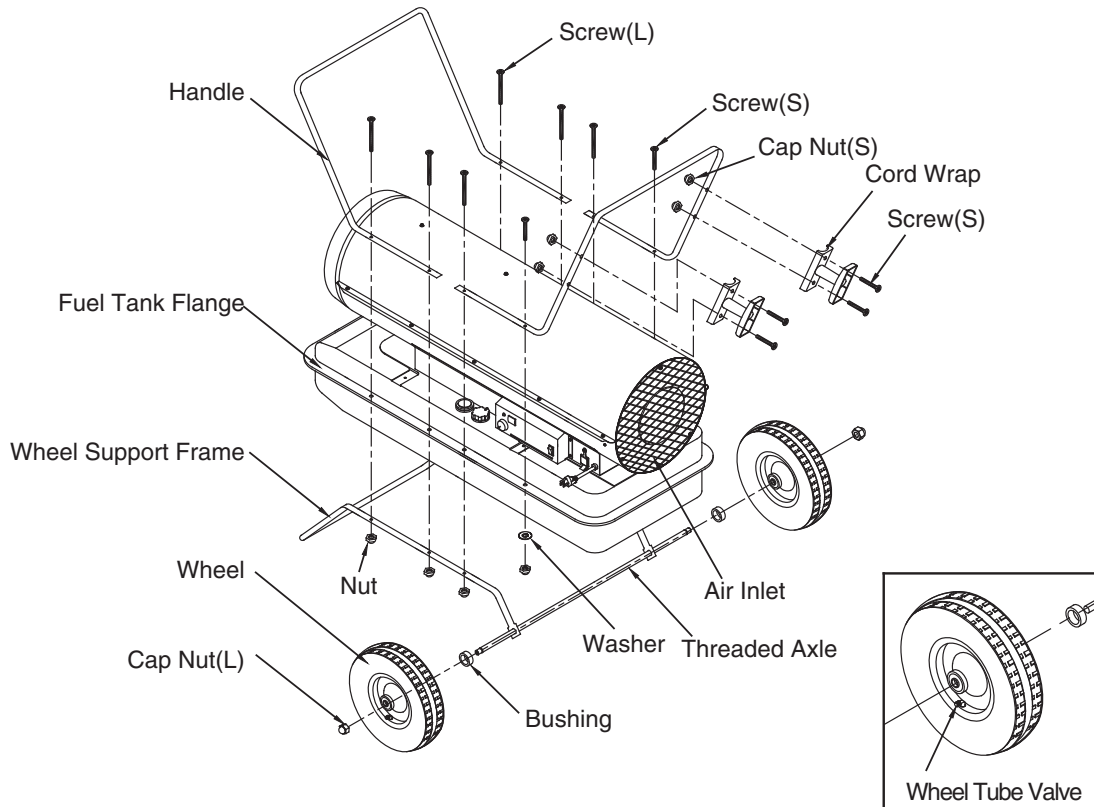


Figure 3. Assembling Handle & Wheel and Cord wrap

4. KEROSENE (1-K)

For optimal performance of this heater, it is strongly suggested that 1-K kerosene be used. 1-K kerosene has been refined to virtually eliminate contaminants, such as sulphur. Which can cause a rotten egg odor during the operation of the heater. However, #1 diesel/fuel oil may also be used if 1-K kerosene is not available.

Be advised that these fuels do not burn as clean as 1-K kerosene, and care should be taken to provide more fresh air ventilation to accommodate any added contaminants that may be added to the heated space.

KEROSENE SHOULD ONLY BE STORED IN A BLUE CONTAINER THAT IS CLEARLY MARKED “KEROSENE”. NEVER STORE KEROSENE IN A RED CONTAINER.

Red containers are associated with gasoline.

NEVER store kerosene in the living space. Kerosene should be stored in a well ventilated place outside the living area.

NEVER use any fuel other than 1-K kerosene (#1 fuel oil is an acceptable substitute.)

NEVER use fuel such as gasoline, benzene, alcohol, white gas, camp stove fuel, paint thinners, or other oil compounds in this heater. These are volatile fuels that can cause an explosion or uncontrolled flames.

NEVER store kerosene in direct sunlight or near a source of heat.

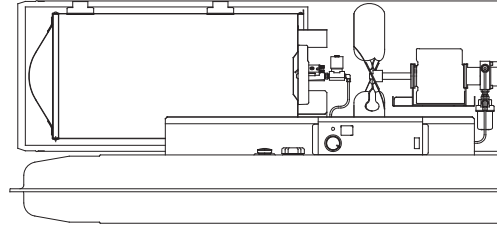
NEVER use kerosene that has been stored from one season to the next. Kerosene deteriorates over time.

“OLD KEROSENE” WILL NOT BURN PROPERLY IN THIS HEATER.

**NEVER LEAVE THE HEATER
UNATTENDED WHILE BURNING!**

5. OVERVIEW OF HEATERS DESIGN

Fuel System: This heater is equipped with a Fuel pump(Gear)that pulls fuel through the fuel line connected to the fuel tank and then pushes fuel through a filter and a solenoid valve and out the burner head nozzle. This fuel is sprayed into the combustion chamber in a fine mist.



“Sure Fire Ignition”: The electronic ignitor sends voltage to a specially designed spark plug. The spark plug ignites the fuel and air mixture.

The Air System: The heavy duty motor turns a fan that forces air into and around the combustion chamber. This air is heated and then forced out the front of the heater.

The Safety System:

A. Temperature Limit Control: This heater is equipped with a Temperature Limit Control designed to turn off the heater should the internal temperature rise to an unsafe level. If this device activates and turns your heater off it may require service.

Internal Shut-Off Temp. Plus/Minus 10 Degrees	Reset Temperature Plus/Minus 10 Degrees
176°F/80°C	122°F/50°C

B. Electrical System Protection : This heaters electrical system is protected by a circuit breaker mounted to power switch that protects PCB assembly and other electrical components from damage.

C. Flame-Out Sensor : Utilizes a photocell to monitor the flame in burn chamber during normal operation. It will cause the heater to shut-off should the burner flame extinguish.

6. FUELING YOUR HEATER

NEVER FILL THE HEATER FUEL TANK IN THE LIVING SPACE: FILL THE TANK OUTDOORS.

DO NOT OVERFILL YOUR HEATER AND BE SURE HEATER IS LEVELED.

IMPORTANT NOTICE REGARDING FIRST IGNITION OF HEATER:

The first time you light the heater, it should be done outdoors. This allows the oils, etc. used in manufacturing the heater to burn off outside.

⚠ WARNING!!: NEVER REFILL HEATER FUEL TANK WHEN HEATER IS OPERATING OR STILL HOT.

**NEVER LEAVE THE HEATER
UNATTENDED WHILE BURNING!**

7. OPERATION

A.) VENTILATION

RISK OF INDOOR AIR POLLUTION/USE HEATER ONLY IN WELL VENTILATED AREAS.

Provide a fresh air opening of at least twelve square feet.

NOTE: If more heaters are being used, provide a fresh air opening of at least three square feet for each 100,000 BTU/Hr.rating.

B.) OPERATION

TO START HEATER

1. Fill fuel tank with kerosene or No. 1 fuel oil.
2. Attach fuel cap.
3. Plug power cord of heater into three-prong, grounded extension cord.

Extension cord must be at least six feet long.

Extension Cord Wire Size Requirements

- 6 to 100 feet long, use 14 AWG conductor.
- 101 to 200 feet long, use 12 AWG conductor.
- 201 to 300 feet long, use 10 AWG conductor.
- 301 to 400 feet long, use 8 AWG conductor.
- 401 to 500 feet long, use 6 AWG conductor.

4. Turn “THERMOSTAT CONTROL Knob” to desired setting(setting range : 40°F~110°F) and push power switch to “ON” position, power indicator lamp and room temp. display will light and heater will start.

NOTE: Room Temp. display indicates as following,

- When room temp. is less than 0°F : “Lo”
- When room temp. is between 0°F and 99°F : Indicates in figure.
- When room temp. is more than 99°F : “Hi”

If heater does not start, the thermostat setting may be too low, turn “THERMOSTAT CONTROL Knob” to higher position to start heater. If heater still does not start, turn power switch to “OFF” and then to “ON” position. (Figure 4). If heater still does not start, see Troubleshooting Guide on page 13.

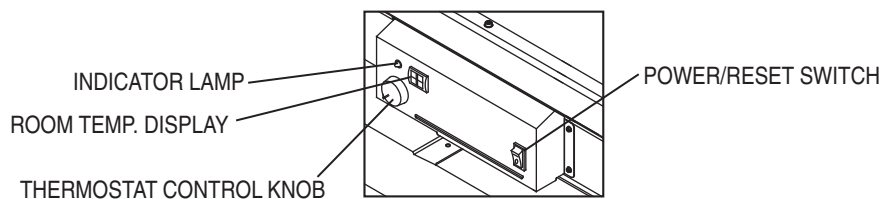


Figure 4. CONTROL PARTS

NOTICE: The major electrical components of this heater are protected by a circuit breaker mounted to the power switch. If your heater fails to start, check this first and replace as necessary. You should also check your power source to insure that proper voltage and frequency are being supplied to the heater.

**NEVER LEAVE THE HEATER
UNATTENDED WHILE BURNING!**

TO STOP HEATER

⚠ CAUTION ; Never unplug heater while heater is running

Heater must go through cooling cycle. The cooling cycle cools the combustion chamber. Damage to heater can occur if combustion chamber is not cooled. Do not restart heater until cooling cycle is complete.

1. Turn “THERMOSTAT CONTROL KNOB” to lowest temperature setting.
This will cause heater flame to go out.
The motor will continue to run during the cooling cycle.
This allows the fan to cool the combustion chamber. When the cooling cycle (approx. 1Min) is finished, the motor will stop.
Do not turn switch to “OFF” or unplug heater until cooling cycle is finished.
2. Turn switch to “OFF” and unplug power cord.
3. To temporarily stop heaters, set thermostat at a temperature lower than air around heater,
Heater will cycle back on if air temperature around heater matches thermostat setting.

TO RESTART HEATER

⚠ CAUTION ; Do not restart heater until cooling cycle is finished.

The cooling cycle cools the combustion chamber.

1. Wait until cooling cycle is finished after stopping heater.
2. Repeat steps under to start HEATER.

EXTRA ELECTRIC OUTLET

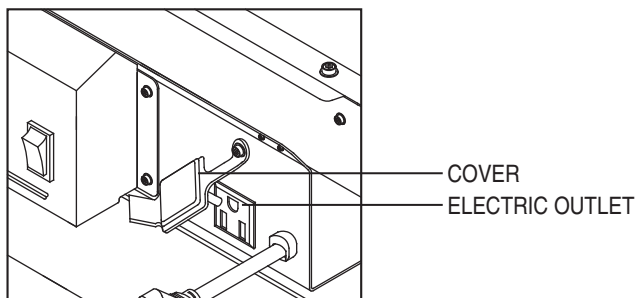


Figure 5. EXTRA ELECTRIC OUTLET

⚠ WARNING ; SHOCK HAZARD!

- Always cover electric outlet when not in use.
- Do not plug in and use an appliance of more than 120V 5A current in this outlet.

**NEVER LEAVE THE HEATER
UNATTENDED WHILE BURNING!**

8. LONG TERM STORAGE OF YOUR HEATER

1. Remove fuel drain bolt from rear bottom side of fuel tank using 3/4" socket or adjustable wrench and drain.
2. Using a small amount of kerosene, swirl and rinse the inside of the tank.
NEVER mix water with the kerosene as it will cause rust inside the tank.
Pour the kerosene out making sure that you remove it all.

IMPORTANT : Do not store kerosene over summer months for use during next heating season.
Using old fuel could damage heater.

3. Reinstall Fuel Drain Bolt to Fuel tank and tighten firmly using 3/4" socket or adjustable wrench.

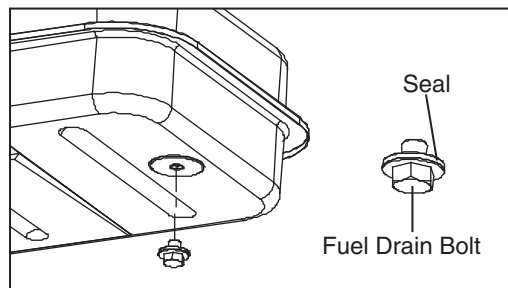


Figure 6. Drain Bolt

IMPORTANT : Before reinstalling the fuel drain bolt, make sure the seal is on the bolt. If the seal is not used the bolt cannot be installed correctly and the fuel tank will leak.

4. Store heater in dry well ventilated area. Make sure storage place is free of dust and corrosive fumes.
5. Store the heater in the original box with the original packing material and keep the USER'S MANUAL with the heater.

**NEVER LEAVE THE HEATER
UNATTENDED WHILE BURNING!**

9. MAINTENANCE

**WARNING!! NEVER SERVICE HEATER WHILE IT IS PLUGGED IN
OR WHILE HOT!**

**USE ORIGINAL EQUIPMENT REPLACEMENT PARTS. Use of third party
or other alternate components will void warranty and may cause unsafe
operating conditions.**

A.) UPPER SHELL REMOVAL

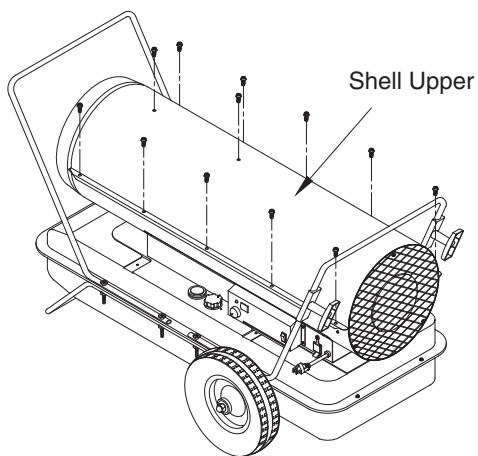


Figure 7. Upper Shell Removal

- Remove screws along each side and top of heater using medium phillips screw driver.
- Lift upper shell off.
(See Figure 7)

B.) FAN BLADES AND AIR DEFLECTOR CLEAN EVERY SEASON OR AS NEEDED.

- Remove upper shell (See figure 7 above)
- Clean fan blades and air deflectors using a soft cloth moistened with kerosene or solvent.
- Dry fan blades and air deflectors thoroughly.
- Reinstall upper shell.

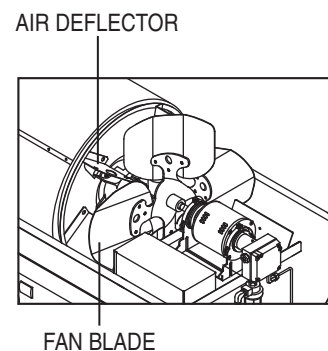


Figure 8. Fan Blades and Air Deflectors

**NEVER LEAVE THE HEATER
UNATTENDED WHILE BURNING!**

C.) SPARK PLUG

CLEAN AND REGAP EVERY 600 HOURS OPERATION OR REPLACE AS NEEDED.

- Remove upper shell (See page 9).
- Remove spark plug wire from spark plug (See Figure 9)
- Remove spark plug from burner head using medium phillips screw driver.
- Clean and regap spark plug electrodes to 0.14”(3.5mm) gap.
- Reinstall spark plug in burner head.
- Attach spark plug wire to spark plug.
- Reinstall upper shell.

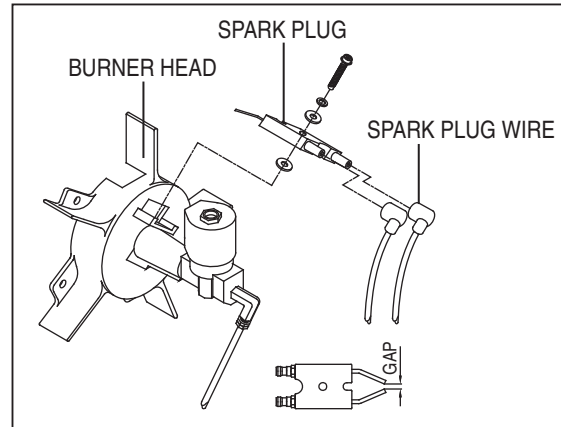


Figure 9. Spark Plug

D.) NOZZLE

REMOVE DIRT IN NOZZLE AS NEED (See page 14)

- Remove upper shell (See page 9).
- Remove fuel line from solenoid valve using 1/4” wrench.
- Remove spark plug wire from spark plug.
- Remove spark plug from burner head using medium phillips screw driver.
- Remove five screws using medium phillips screwdriver and remove burner head from combustion chamber.
- Carefully remove nozzle from burner head using 5/8” socket wrench.
- Blow compressed air through face of nozzle. (this will remove any dirt in nozzle)
- Inspect nozzle for damage. If damaged or clogged, replace nozzle.
- Make sure plug is in place on burner head.
- Reinstall nozzle into burner head and tighten firmly. (175~200 inch-pounds)
- Reinstall spark plug in burner head.
- Attach burner head to combustion chamber.
- Attach spark plug wire to spark plug.
- Attach fuel line to solenoid valve tighten firmly.
- Replace upper shell.

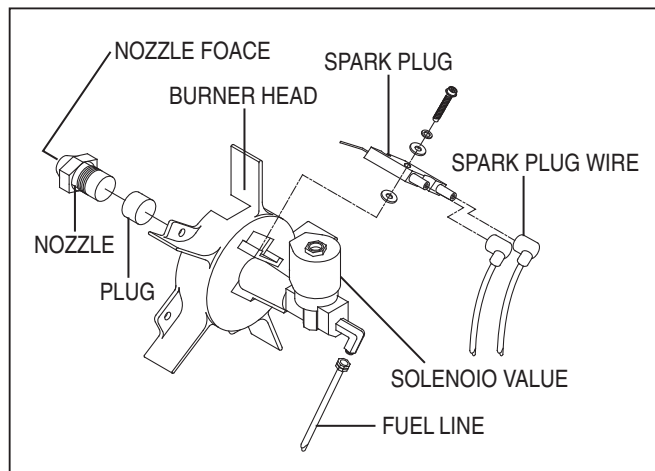


Figure 10. NOZZLE

NEVER LEAVE THE HEATER UNATTENDED WHILE BURNING!

E.) PHOTOCELL

CLEAN PHOTO CELL ANNUALLY OR AS NEEDED.

- Remove upper shell(See Page 9)
- Remove photocell from photocell Bracket and disconnect photocell from connector.
- Clean photocell lens with cotton swab.
- Inspect photcell lens for damage. If damaged, replace photocell.

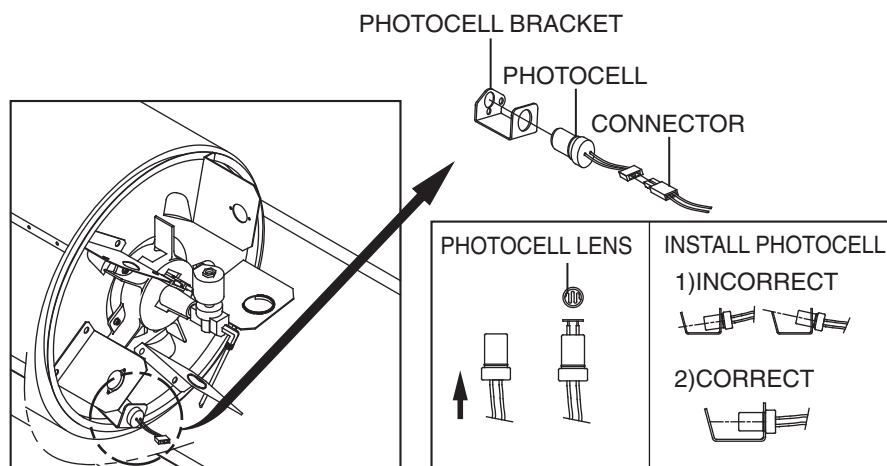


Figure 11. Clean photocell Lens

F.) FUEL LINES

TIGHTENING FUEL LINES ANNUALLY OR AS NEEDED.

- Remove upper shell (See page 9).
- Use 1/4" wrench and tighten fuel lines(A) at solenoid valve and at pump. (See Figure 12)
- Remove fan guard (See Figure 13)
- Use 3/8" wrench and tighten fuel lines (B) at pump, pump fuel filter assembly.
- Reinstall fan guard.

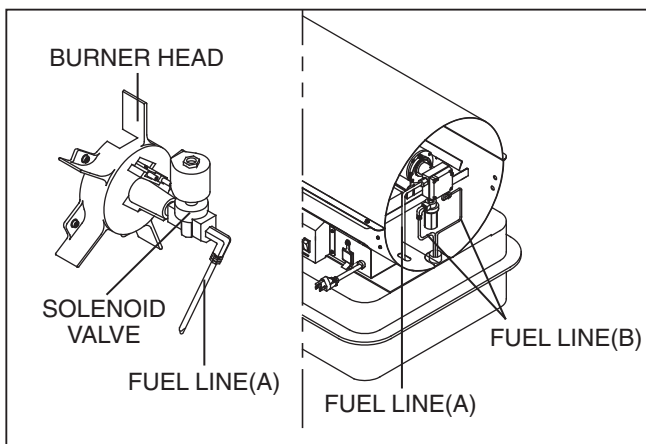


Figure 12. Tighten fuel line

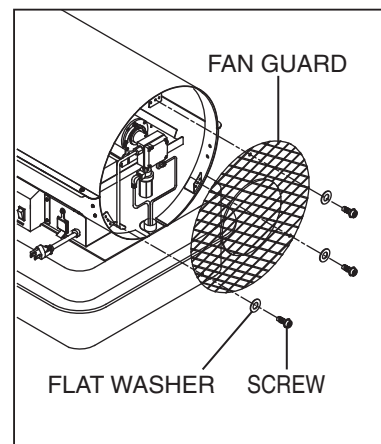


Figure 13. Remove Fan guard

**NEVER LEAVE THE HEATER
UNATTENDED WHILE BURNING!**

G.) FUEL FILTER

CLEAN TWICE PER HEATING SEASON OR AS NEEDED.

• Tank Fuel Filter

- Remove fan guard.(See page 11).
- Disconnect fuel line (B) from pump and pump fuel filter assembly with 3/8" wrench (See Figure 14)
- Carefully pry fuel filter loose from fuel tank with flat end of screw driver.
- Wash fuel filter and fuel lines with clean kerosene.
- Replace fuel filter into fuel tank.
- Connect fuel lines (B) to pump and pump fuel filter assembly.
- Reinstall fan guard.

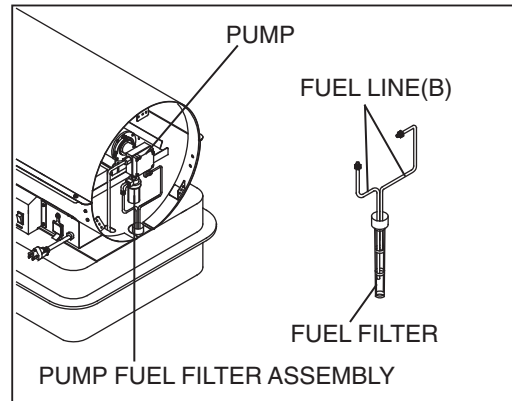


Figure 14. Remove Tank Fuel Filter

• Pump Fuel Filter

- Remove fan guard.(See page 11)
- Unscrew (C.W) filter bottom from filter top with adjustable pliers.
- Remove fuel filter, gasket, magnet from filter bottom.(See Figure 15)
- Wash filter bottom with clean kerosene .
- Wipe inside of filter bottom dry with clean cloth.
- Wash Fuel filter in clean kerosene.
- Remove dirt attached magnet.
- Put clean magnet, fuel filter and gasket back in filter bottom.
- Tighten firmly.

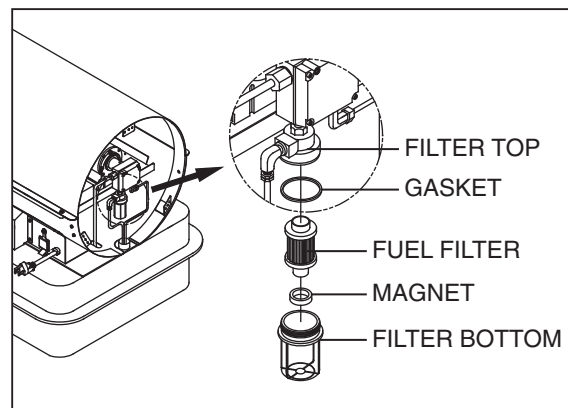


Figure 15. Fuel Pump Filter

**NEVER LEAVE THE HEATER
UNATTENDED WHILE BURNING!**

H.) PUMP PRESSURE ADJUSTMENT

- Remove pressure gauge plug from pump with 1/8" allen wrench.
- Install accessory pressure gauge to pressure gauge port. (See Figure 16)
- Start heater (See operation, page 6)
Allow motor to reach full speed.
- Adjust pressure. (Using a small flat blade screw driver)
Turn pressure adj. Screw to clock wise to increase pressure.
Turn screw to counter clock wise to decrease pressure.
Set pump pressure to 125 PSI.
- Stop heater (See operation, page 6)
- Remove pressure gauge. Replace pressure gauge plug in pressure gauge port.

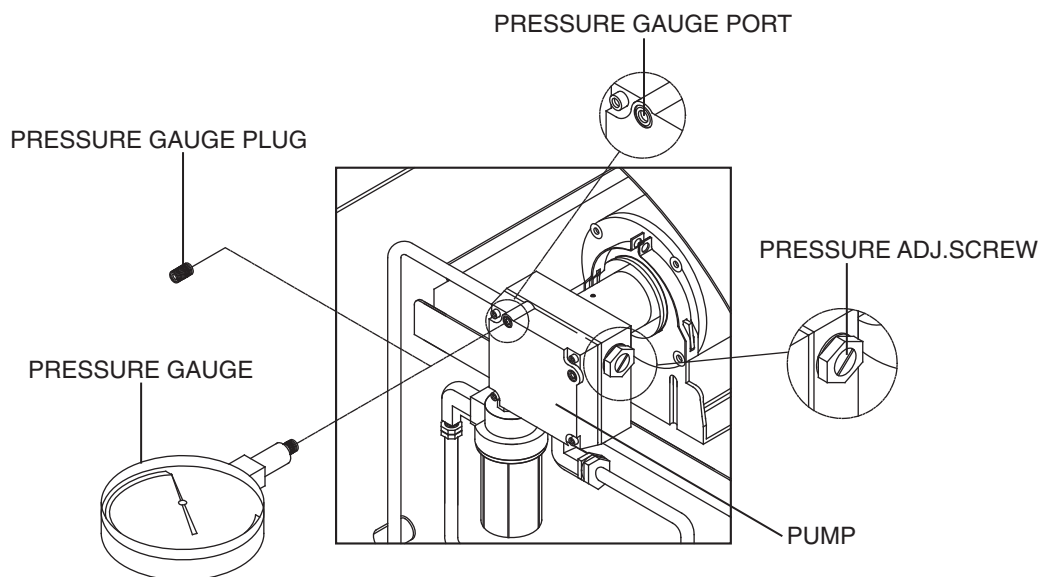


Figure 16. Adjusting Pump Pressure

NOTE: USE ONLY ORIGINAL EQUIPMENT REPLACEMENT PARTS.
USE OF ALTERNATE OR THIRD PARTY COMPONENTS WILL VOID ANY WARRANTY
AND MAY CAUSE UNSAFE OPERATING CONDITION.

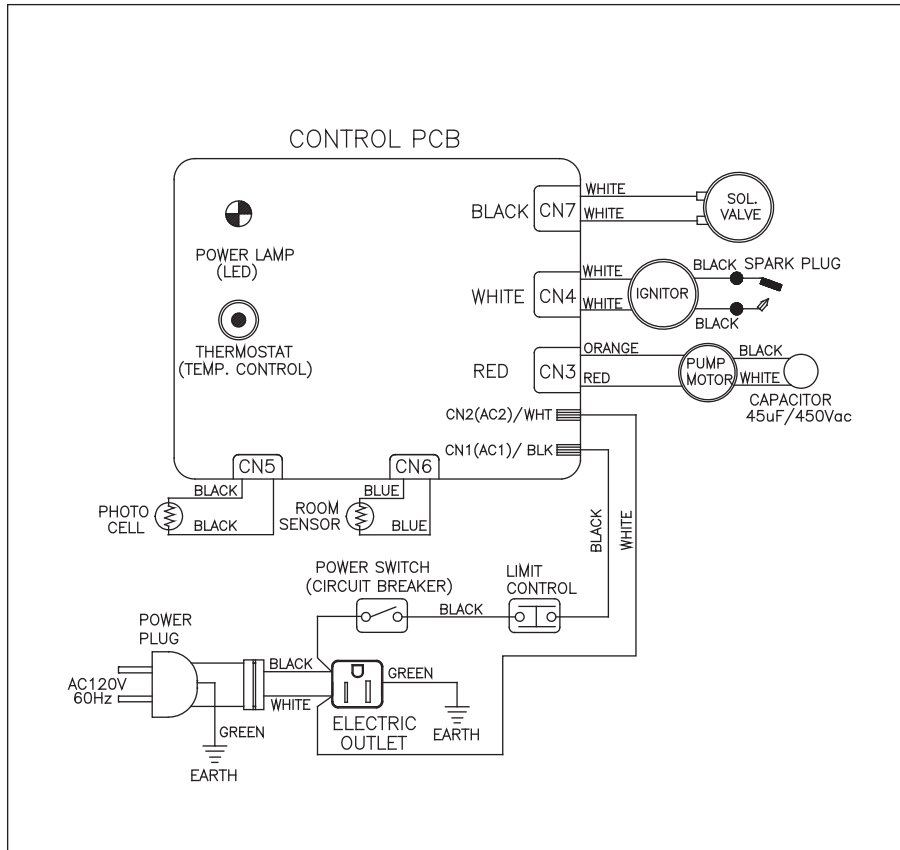
**NEVER LEAVE THE HEATER
UNATTENDED WHILE BURNING!**

10. TROUBLE SHOOTING GUIDE

TROUBLE	POSSIBLE CAUSE	CORRECTIVE ACTION
Heater ignites but MAIN PCB assembly shuts heater off after a short period of time. (Indicator lamp is flickering and room temp. display indicates “E1”)	<ol style="list-style-type: none"> 1. Wrong pump pressure 2. Dirty Fuel Filter 3. Dirt in Nozzle 4. Dirty Photocell Lens 5. Photocell Assembly not properly installed. (Not seeing the flame) 6. Bad electrical connection between photocell and MAIN PCB assembly 7. Defective photocell 	<ol style="list-style-type: none"> 1. See Pump Pressure Adjustment, page 13. 2. See Fuel Filter, page 12. 3. See Nozzle, page 10. 4. Clean Photocell Lens, page 11. 5. Make sure photocell boot is properly seated in bracket, (See, page 11) 6. Check electrical connections. See wiring diagram, page 15. 7. Replace photocell, page 11.
Heater will not ignite but motor runs for a short period of time. (Indicator lamp is flickering and room temp. display indicates “E1”)	<ol style="list-style-type: none"> 1. No fuel in tank 2. Wrong pump pressure 3. Carbon deposits on spark plug and/or improper gap 4. Dirty fuel filter 5. Dirt in nozzle 6. Water in fuel tank 7. Bad electrical connection between ignitor and MAIN PCB assembly 8. Ignitor wire is not attached to spark plug 9. Defective ignitor 10. Defective solenoid valve (not opening) 	<ol style="list-style-type: none"> 1. Fill tank with kerosene 2. See Pump Pressure Adjustment, page 13. 3. See Spark Plug, page 10. 4. See Fuel Filter, page 12. 5. See Nozzle, page 10. 6. Flush fuel tank with clean kerosene, page 9. 7. Check electrical connections, See wiring diagram, page 15. 8. Attach ignitor wire to spark plug. See Spark Plug, page 10. 9. Replace ignitor. 10. Check electrical connections and voltage to solenoid valve. If defective, replace solenoid valve.
Fan does not turn when heater is plugged in and power switch was in the “ON” position (Indicator lamp is on or flickering)	<ol style="list-style-type: none"> 1. Thermostat setting is too low 2. Bad electrical connection between motor and MAIN PCB assembly 	<ol style="list-style-type: none"> 1. Turn thermostat control knob to a higher setting 2. Check electrical connections, See Wiring Diagram, page 15.
(Indicator lamp is flickering and room temp. display indicates “E2”)	<ol style="list-style-type: none"> 1. Room Temp. sensor disconnected 2. Sensor Failure 	<ol style="list-style-type: none"> 1. Reconnect sensor See wiring diagram, page 15. 2. Replace sensor See wiring diagram, page 15.
(Indicator lamp is flickering and room temp. display indicates “E3”)	<ol style="list-style-type: none"> 1. Thermostat switch failure 	<ol style="list-style-type: none"> 1. Replace switch See wiring diagram, page 15.
Heater will not turn-on (Indicator lamp is off)	<ol style="list-style-type: none"> 1. Temperature limit safety device is overheated 2. No electrical power 3. Bad electrical connection between temperature limit safety device and PCB board 	<ol style="list-style-type: none"> 1. Turn power switch to “OFF” and allow to cool (about 10 min.). Then turn power switch to “ON” position. 2. Check to insure heater cord and extension cord are plugged in. Check power supply. 3. Check electrical connections. See Wiring Diagram, page 15.

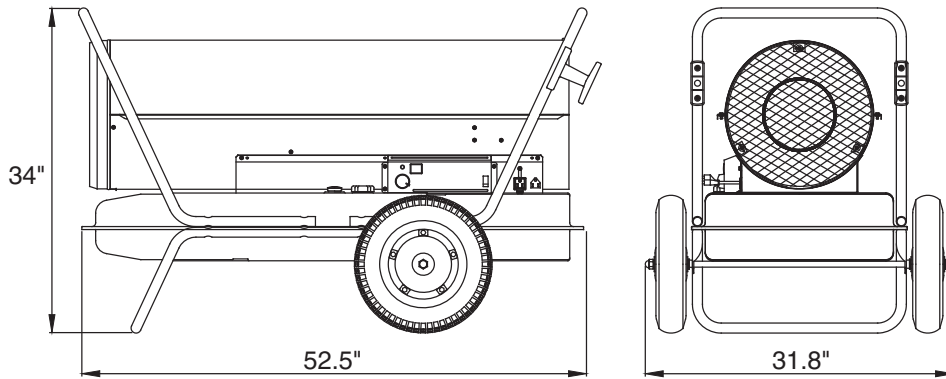
**NEVER LEAVE THE HEATER
UNATTENDED WHILE BURNING!**

11. WIRING DIAGRAM



**NEVER LEAVE THE HEATER
UNATTENDED WHILE BURNING!**

12. SPECIFICATIONS



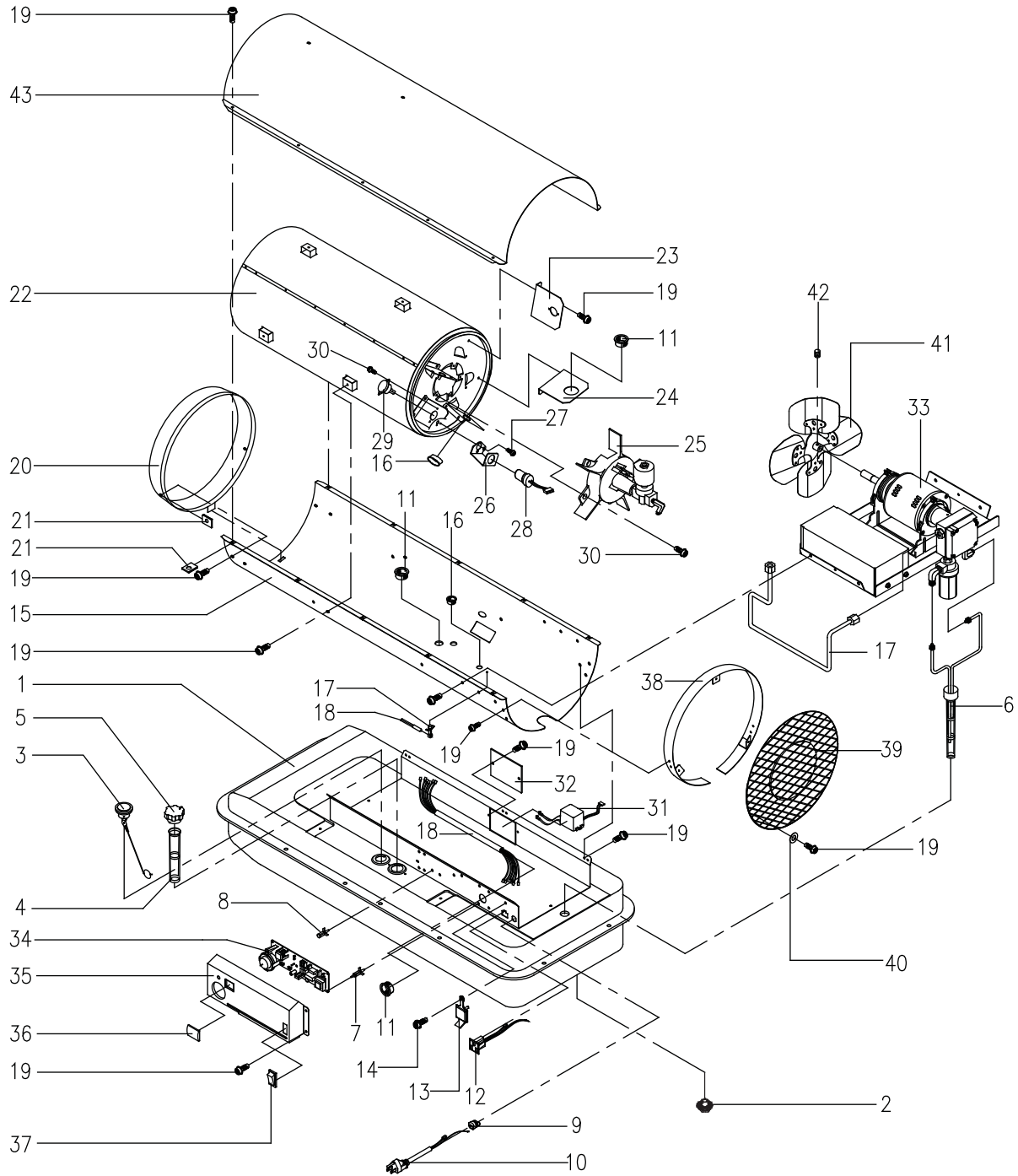
DFA-400T

MODEL	DFA-400T
BTU/Hr	400,000
Fuel Consumption-Gal./ (ℓ/Hr)	3.0(11.36)
Fuel Tank Capacity-Gal (ℓ)	29.0(110.0)
Pump Pressure PSI (kgf/ cm ²)	125(8.79)
Volts/Hz/Amps	120VAC/60/4.4
Phase	1
Size(D × W × H), Inch(mm)	52.5" × 31.8" × 34"(1,334 × 808 × 864)
Weight lbs. (kg)	141.1(64.0)

**NEVER LEAVE THE HEATER
UNATTENDED WHILE BURNING!**

13. EXPLODED PARTS DRAWING (DFA-400T MODEL)

NOTE: SPECIFY MODEL NUMBER AND PART NUMBER WHEN ORDERING PARTS.



**NEVER LEAVE THE HEATER
UNATTENDED WHILE BURNING!**

14. PARTS LIST

KEY No.	DESCRIPTION	PART No.	Quantity
		DFA-400T	
1	Fuel Tank Assembly	2151-0025-00	1
2	Fuel Drain Bolt	4329-0072-00	1
3	Fuel Gauge	2156-0053-00	1
4	Fuel Filter	3221-0009-00	1
5	Fuel Cap	2151-0003-00	1
6	Filler Neck Assembly	2155-0007-00	1
7	Space Support	3713-0004-00	5
8	Card Support	3713-0016-00	3
9	Cord Bushing	3712-0013-00	1
10	Power Cord	3980-0068-00	1
11	Bushing Grommet(L)	3231-0121-00	3
12	Electric Outlet Assembly	39D0-0264-00	1
13	Cover Outlet	3231-0114-00	1
14	Screw Top Table	4319-0042-00	1
15	Shell Lower	3111-0195-07	1
16	Bushing Grommet(S)	3231-0120-00	2
17	Wire Clip	3715-0014-00	1
18	Thermistor	38C0-0054-00	1
19	Flange Screw	4319-0015-00	24
20	Cone-Ouside	2153-0012-01	1
21	Clip Nut	3131-0182-00	10
22	Chamber Assembly	2152-0037-00	1
23	Air Deflector	3131-0306-00	4
24	Air Deflector	3131-0307-00	1
25	Burner Head Assembly	2152-0058-00	1
26	Bracket Photocell	3131-0159-00	1
27	Screw BH1	4311-0068-00	2
28	Photocell	2153-0007-00	1
29	Temperature Limit	38C0-0032-00	1
30	Screw PH2	4312-0021-00	2
31	Igniter	39E0-0021-00	1
32	Cover Igniter	3131-0309-01	1
33	Motor & Pump Assembly	2154-0025-00	1
34	P.C.B Assembly	215A-0024-00	1
35	Cover Display	3121-0345-05	1
36	Window Display	3231-0113-00	1
37	Power(Reset) Switch	39A0-0082-00	1
38	Safe Guard Assembly	2153-0011-01	1
39	Mesh Guard	3121-0336-01	1
40	Impeller Washer	3131-0240-00	3
41	Fan Assembly	2154-0021-00	1
42	Bolt Standard Socket	4323-0005-00	1
43	Shell Upper	3111-0196-07	1

FOR TECHNICAL ASSISTANCE SEE YOUR LOCAL RETAILER OR CONTACT US AT:
 PHONE: 814-643-1775 TECH.: 814-643-2299 FAX: 814-643-3443
 EMAIL: TECHSVC@YOURHEATER.COM OR VISIT OUR WEBSITE AT WWW.YOURHEATER.COM

**NEVER LEAVE THE HEATER
UNATTENDED WHILE BURNING!**

14. PARTS LIST (BURNER HEAD ASSEMBLY & MOTOR AND PUMP ASSEMBLY)

NOTE: SPECIFY MODEL NUMBER AND PART NUMBER WHEN DRDNERING PARTS.

KEY NO.	DESCRIPTION	PART NO.
1	Burner Head	3531-0012-00
2	Plug	3541-0060-00
3	Nozzle	SP-KFA1024
4	Spark Plug	SP-KFA1009
5	Fiber Washer	4349-0017-00
6	Spring Washer	4342-0009-00
7	Flange Bolt	4329-0013-00
8	Nipple-Straight	3541-0057-00
9	Solenoid Valve	39A0-0084-00
10	Elbow Male	3740-0037-00

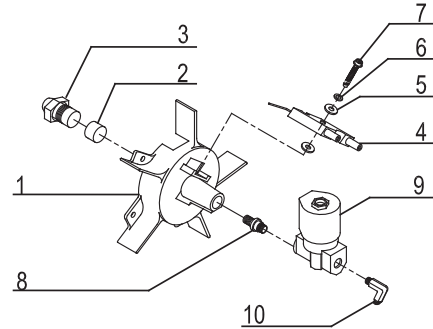


Figure 17. Burner Head Assembly

KEY NO.	DESCRIPTION	PART NO.
1	Motor	3970-0081-00
2	Supportor-Motor	3121-0334-00
3	Bolt(HH)	4321-0182-00
4	Nut Lock	4331-0022-00
5	Coupling-Pump	3531-0013-00
6	Gear Pump	3740-0026-00
7	Bolt-Headless Socket	4323-0004-00
8	Filter Oil Assembly	3740-0034-00
9	Elbow Male	3740-0044-00
10	Fitting-Straight	3740-0039-00
11	Holder Condensor	3131-0295-00
12	Bushing Grommet	3712-0004-00
13	Cover Condensor	3121-0338-00
14	Flange Screw	4319-0015-00
15	Capacitor	3820-0144-00

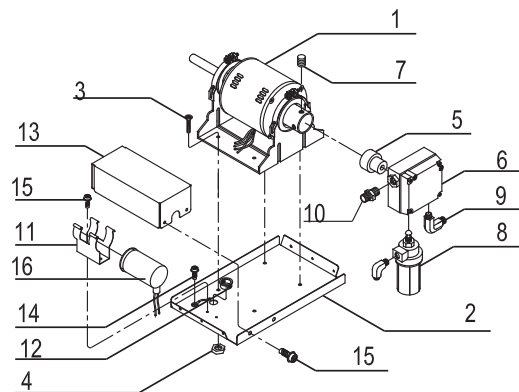


Figure 18. Motor and Pump Assembly

**NEVER LEAVE THE HEATER
UNATTENDED WHILE BURNING!**

14. PARTS LIST (Wheel and Handle)

NOTE: SPECIFY MODEL NUMBER AND PART NUMBER WHEN ORDERING PARTS.

KEY NO.	DESCRIPTION	PART NO.	QTY
1	Wheel Support Frame	3551-0037-00	1
2	Handle	3551-0038-00	2
3	Cord Wrap	3221-0052-00	2
4	Threaded Axle	3541-0093-00	1
5	Wheel	3720-0009-00	2
6	Hardware Kit	HW-KFA1019	1
6-1	Screw (L)	INCLUDED IN HARDWARE KIT	6
6-2	Screw (S)	INCLUDED IN HARDWARE KIT	6
6-3	Nut	INCLUDED IN HARDWARE KIT	8
6-4	Cap Nut(S)	INCLUDED IN HARDWARE KIT	4
6-5	Bushing	INCLUDED IN HARDWARE KIT	2
6-6	Flat Washer	INCLUDED IN HARDWARE KIT	2
6-7	Cap Nut(L)	INCLUDED IN HARDWARE KIT	2

