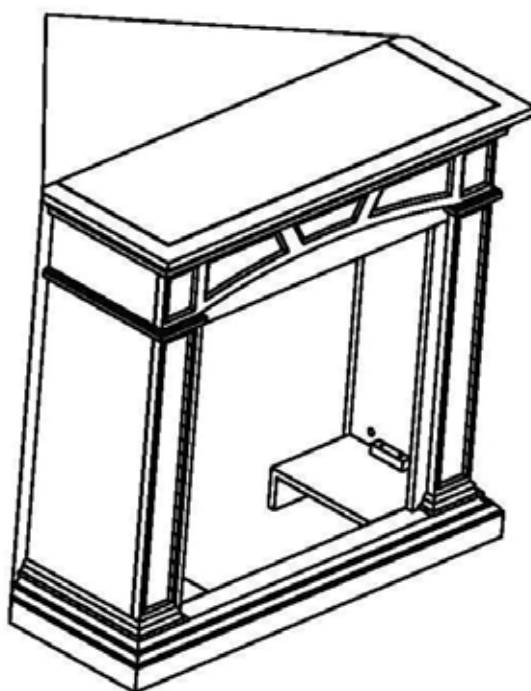
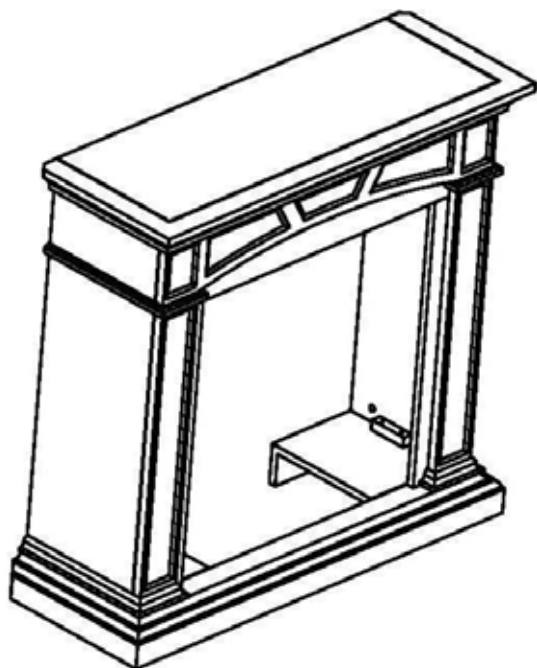


Kozy-World®

CORNER COMBO WOOD FIREPLACE MANTEL

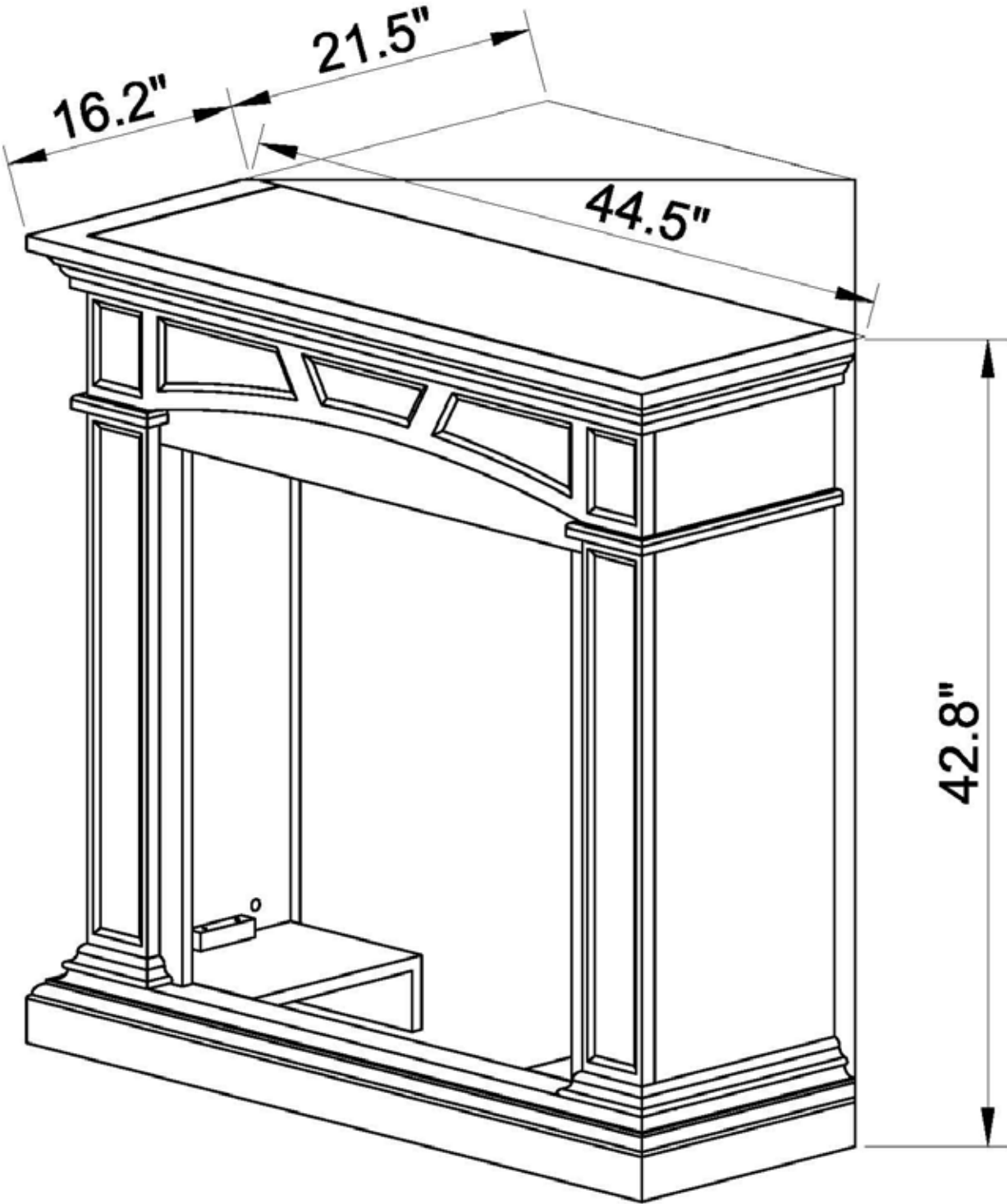
Model #GFD4375KD



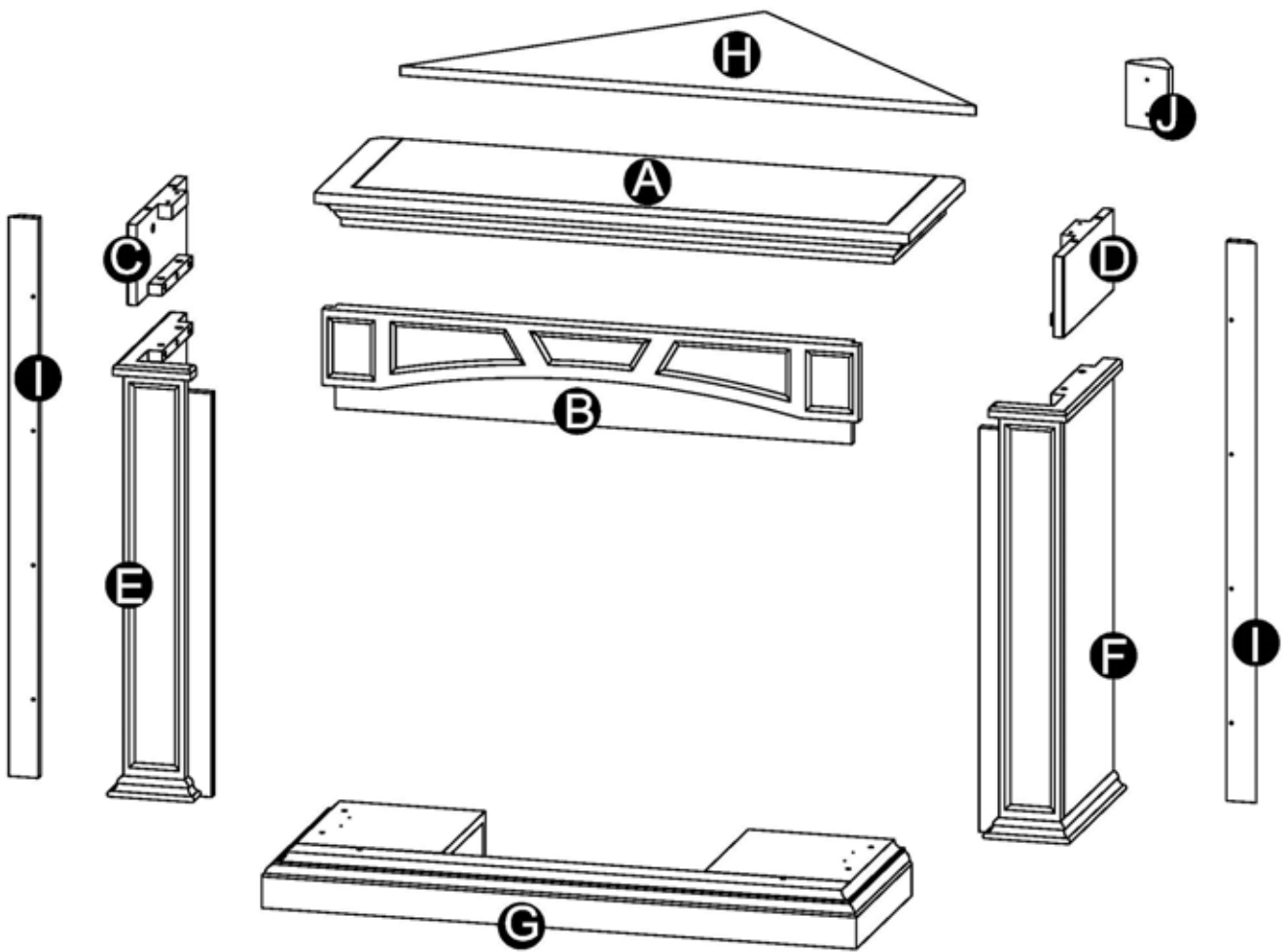
Questions about installation,, Operation or troubleshooting?

Before returning to your retailer, call at KOZY WORLD PHONE 800-776-9425.

PRODUCT SPECIFICATIONS




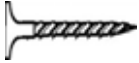

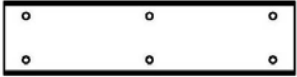


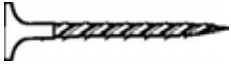
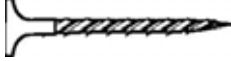


PACKAGE CONTENTS



If a part is missing or damaged - return to place of purchase (exterior wood components are not replaceable).

PART	DESCRIPTION	QUANTITY
A	Top	1
B	Panel	1
C	Left Upper Panel	1
D	Right Upper Panel	1
E	Left Lower Panel	1
F	Right Lower Panel	1
G	Base	2
H	Top Triangle Panel	1
I	Backboard	2
J	Set Square Support	

HARDWARE CONTENTS

Part	Description	Quantity	Picture (Shown to size)	Part	Description	Quantity	Picture (Shown to size)
AA	Cam Dowel	16		FF	ST4 Screw 5/8 in.	18	
BB	Cam Lock	16		GG	Connector Bracket	3	
CC	Wall Anchor	2		HH	White Key	1	
DD	ST4 Screw 1 -3/16 in.	8		II	ST4 Screw 1 -9/16 in.	8	
EE	ST5 Screw 2- 3/8 in.	2		JJ	M6 Screw 1 -3/8 in.	4	



WARNINGS AND CAUTIONS

WARNING

- When tightening screws, do not over tighten, this may cause threads to strip. We recommend using a hand-held screwdriver rather than a power screwdriver.
- Do not force screws into holes.

CAUTION

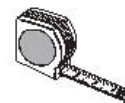
- For corner installations(optional); if baseboards are installed where the fireplace is intended to be displayed, then the fireplace will not fit flush against the wall. For a proper flush fit, you may need to remove part of the baseboard mold if necessary.

PREPARATION

Before beginning assembly of product, make sure all hardware contents parts are present. Compare parts with package contents list and diagram on page 4. If any part is missing or damaged, do not attempt to assemble the product. Contact customer service for replacement parts.

Estimated Assembly Time: 60 minutes

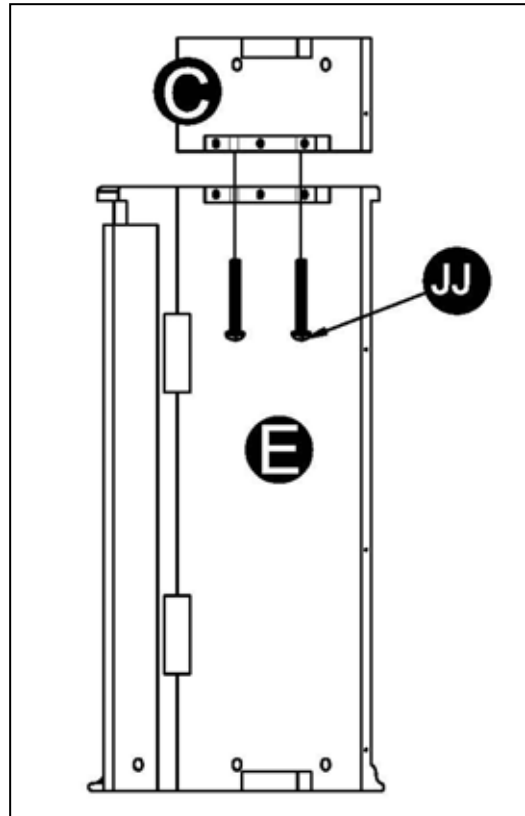
Tools Required for Assembly: Philips Screwdriver, Flathead Screwdriver, Drill, and Tape Measure.



ASSEMBLY INSTRUCTIONS

1. Fasten the Left Upper Panel (C) and the Left Lower Panel (E) with M6 Screw 1-3/8 in. (JJ) as shown in Fig 1. Do the same thing for the Right Upper Panel (D) and the Right Lower Panel (F).

Fig 1

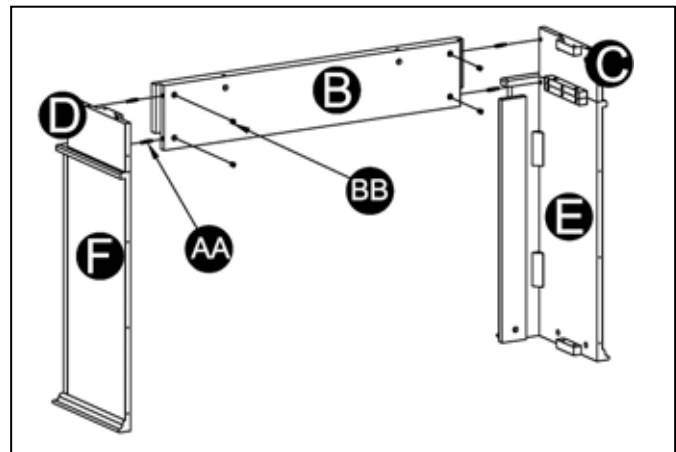


Hardware Used

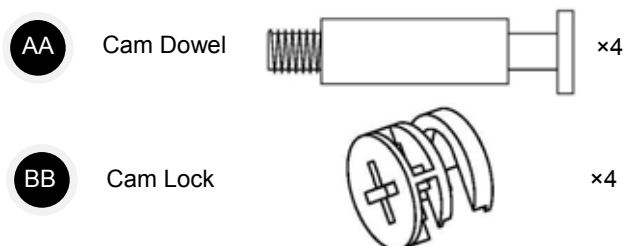


2. After assembling the mantel (C, D, E, F), insert Cam Locks (BB) into Panel (B), screw in Cam Dowels (AA) into the Left Upper Panel (C) and the Right Upper Panel (D). Attach Panel (B) into assembled frame (C, D, E, F) by tightening the Cam Locks (BB) as shown in Fig 2.

Fig 2

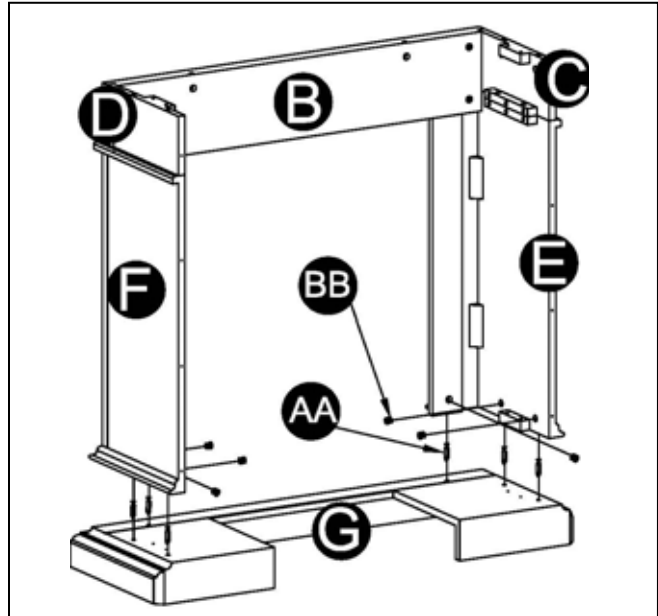


Hardware Used

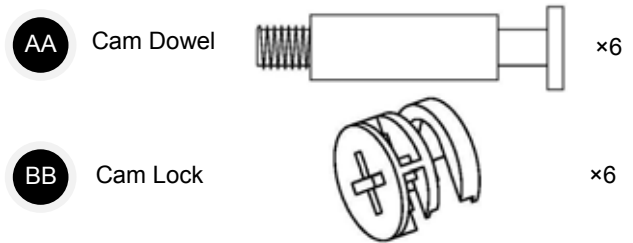


3. Insert Cam Locks (BB) into the Left Lower Panel (E) and the Right Lower Panel (F), screw in Cam Dowels (AA) into Base (G). Attach Base (G) into assembled frame (B, C, D, E, F) by tightening the Cam Locks (BB) as shown in Fig 3.

Fig 3

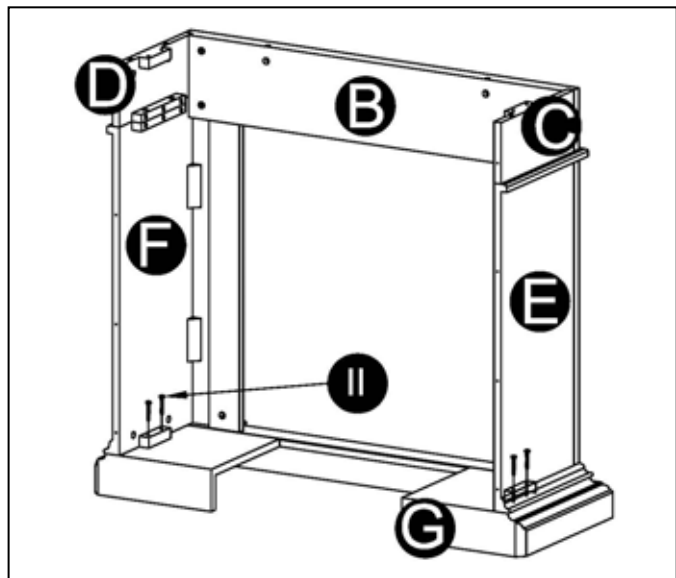


Hardware Used



4. Fasten the batten with ST4Screw 1-9/16 in. (II) to the Base (E) as shown in Fig 4.

Fig 4



Hardware Used




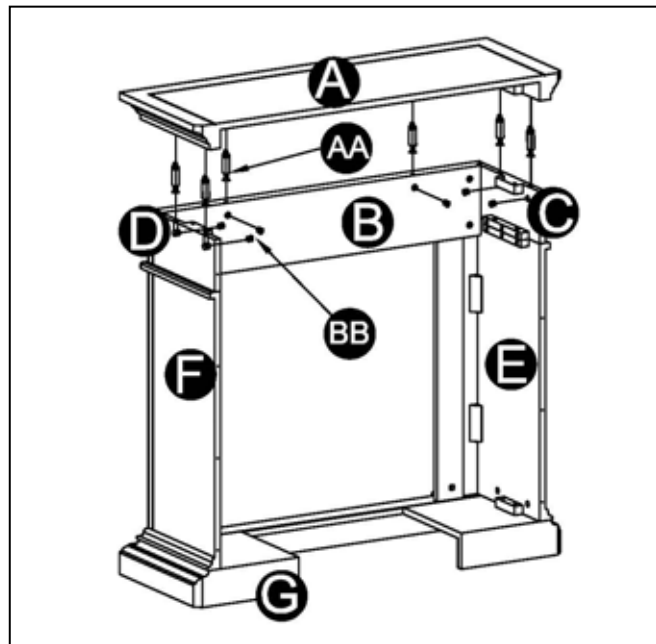
 Skip to step 9 for Corner Mantel Installation.

Fig 5

5. Insert Cam Locks (BB) into Panel (B), the Left Upper Panel (C) and the Right Upper Panel (D), screw in Cam Dowels (AA) into Top (A). Attach Top (A) into assembled frame (B, C, D, E, F) by tightening the Cam Locks (BB) as shown in Fig 5.



Hardware Used

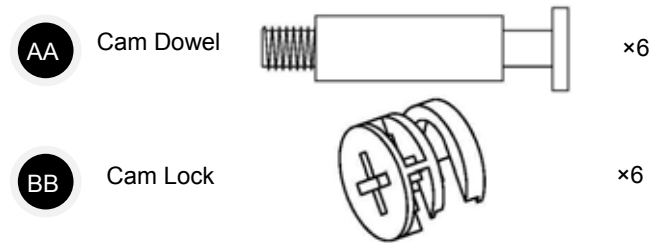
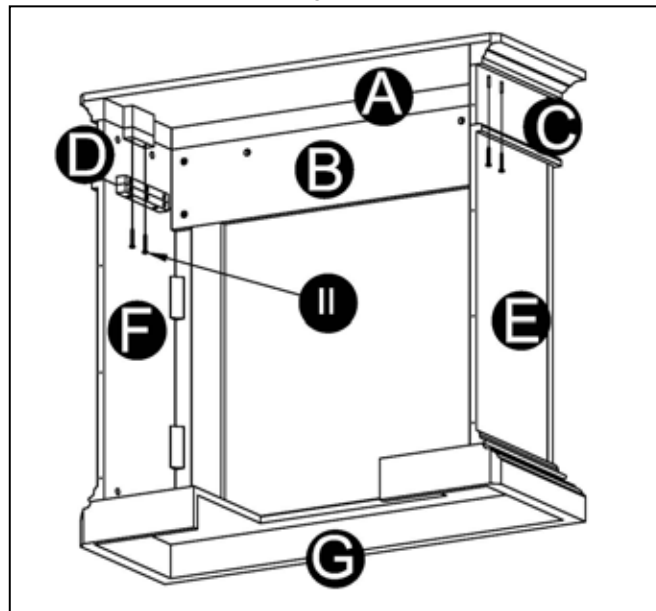


Fig 6

6. Fasten the batten with ST4 Screw 1-9/16 in. (II) to the Top (A) as shown in Fig 6.



Hardware Used



Fig 7

7. After assembling the mantel, lift upright and push the insert from the front of the mantel as shown in Fig 7.

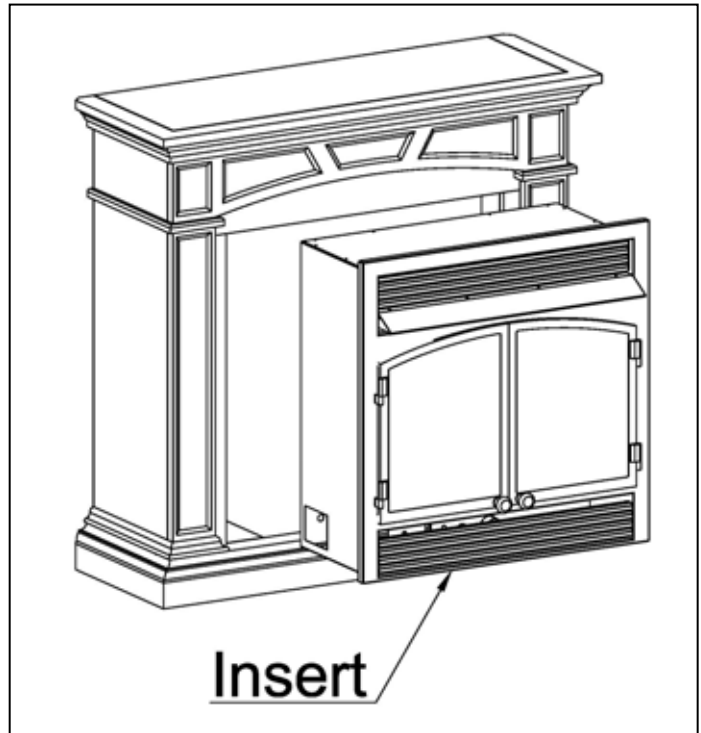
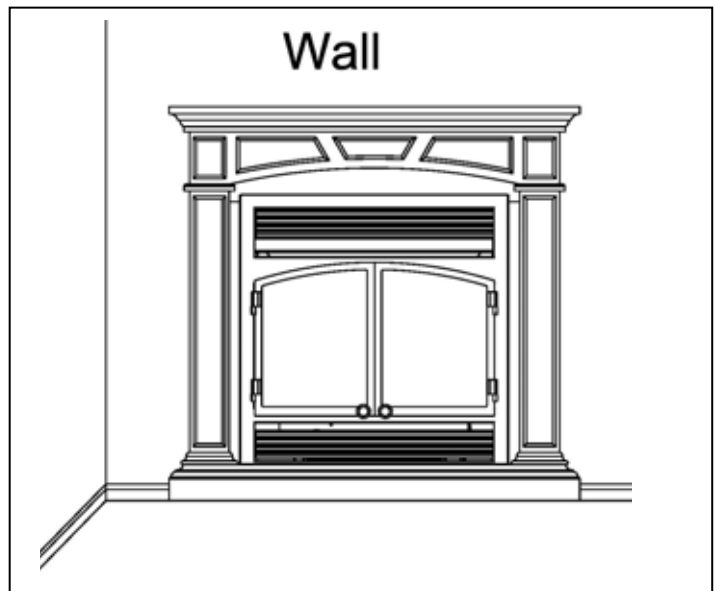


Fig 8

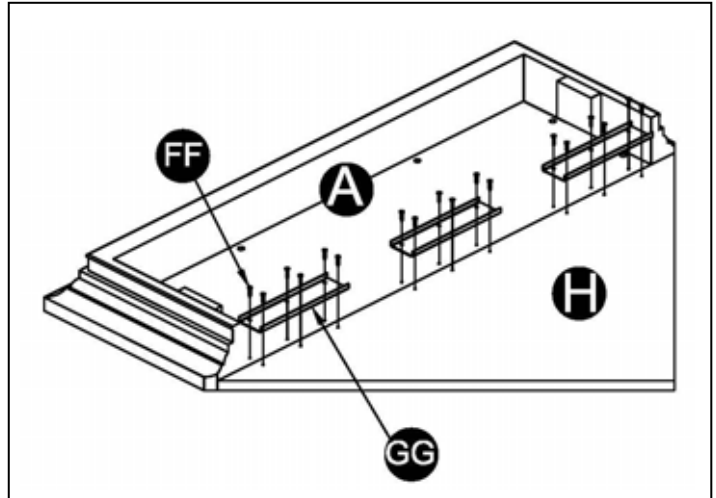
8. Position the fireplace to the desired place as shown in Fig 8.



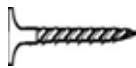
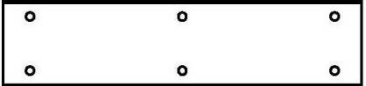
FOR CORNER APPLICATION

9. Turn the fireplace Top (A) Panel over. Using the Connector Brackets (GG) that supplied, connect the Fireplace Top (A) to the Top Triangle Panel (H) with ST4 Screw 5/8 in. (FF) as shown in Fig 9.

Fig 9

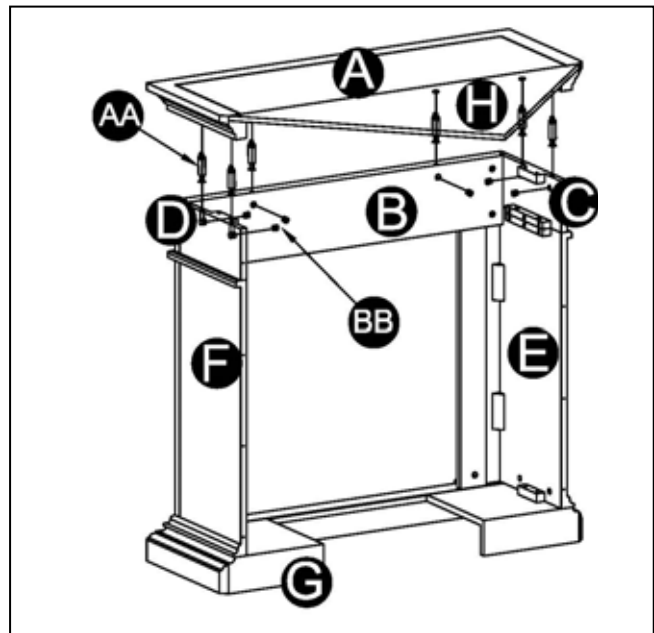


Hardware Used

FF	ST4 Screw 5/8 in.		×18
GG	Connector Bracket		×3

10. Insert Cam Locks (BB) into Panel (B), the Left Upper Panel (C) and the Right Upper Panel (D), screw in Cam Dowels (AA) into Top (A). Attach Top (A) into assembled frame (B, C, D, E, F) by tightening the Cam Locks (BB) as shown in Fig 10.

Fig 10



Hardware Used



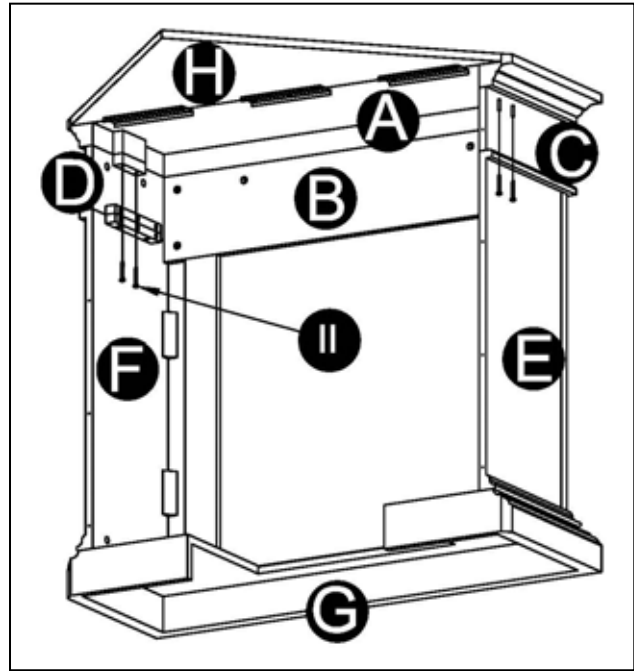
AA	Cam Dowel		×6
BB	Cam Lock		×6

Fig 11

11. Fasten the batten with ST4 Screw 1-9/16 in. (II) to the Top (A) as shown in Fig 11.

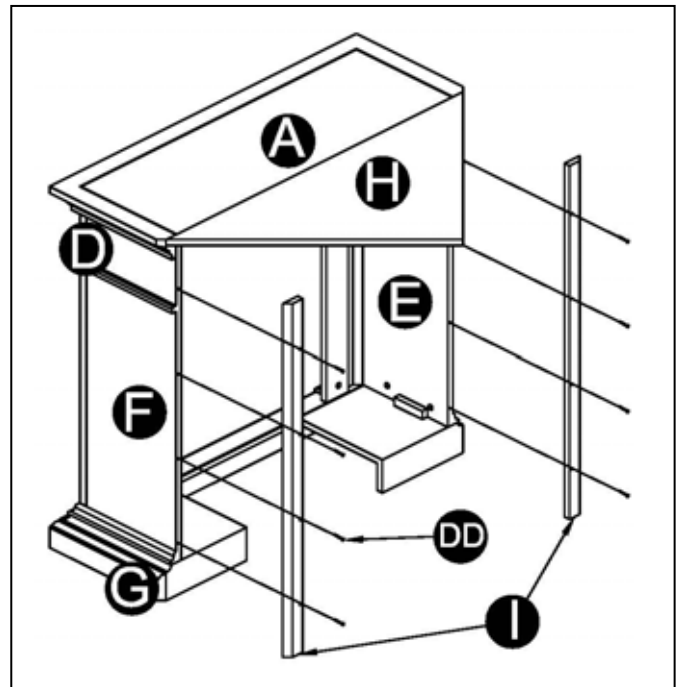


Hardware Used



Fig 12

12. Attach the left and right Backboard (I) trim pieces to the back of the fireplace with ST4 Screw 1-3/16 in. (DD) as shown in Fig 12.



Hardware Used



Fig 13

13. After assembling the mantel, lift upright and push the insert from the front of the mantel as shown in Fig 13.

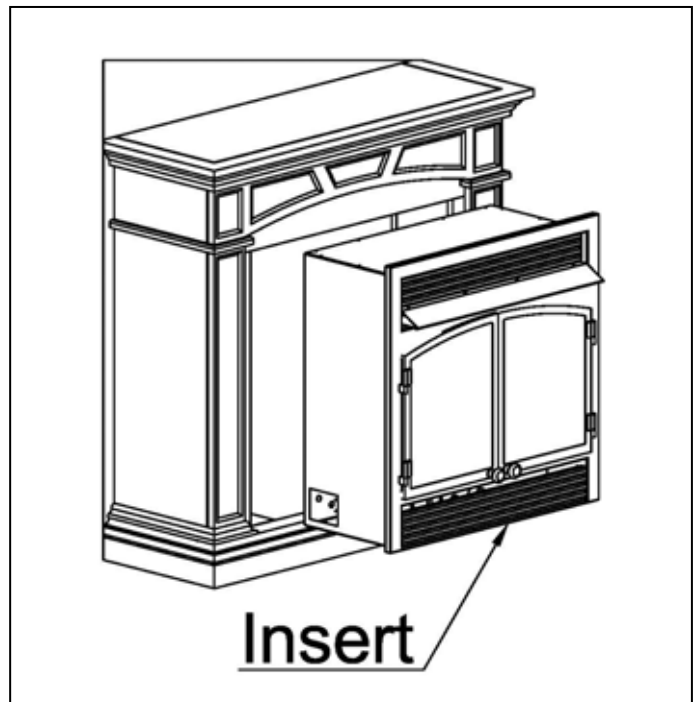
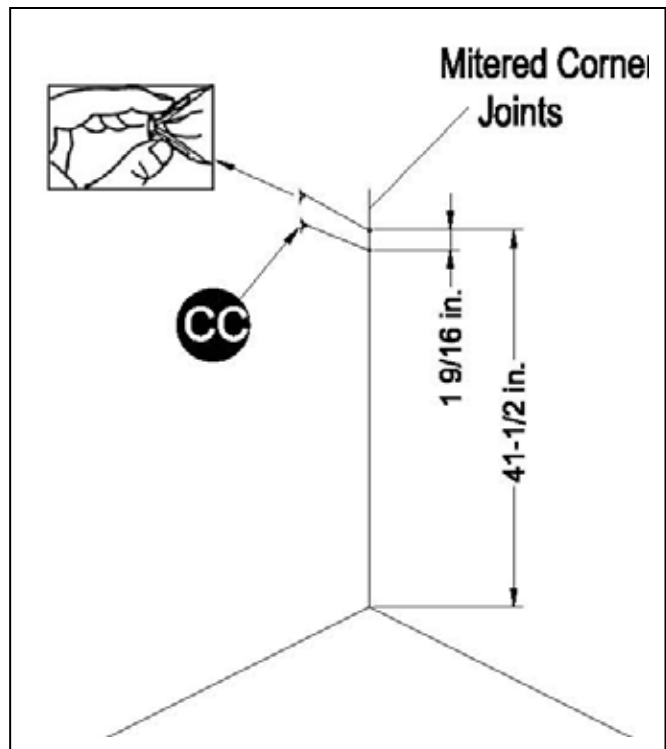


Fig 14

14. Drill two holes (5/16 in) in the corner where the fireplace is to be displayed. Drill the first hole 44-1/2 in. from the ground up, and the second hole 1-9/16 in. from the first hole as shown in Fig 14. Put the Wall Anchor (CC) in the holes by pinching the anchor tabs together as shown in Fig 14.



Hardware Used



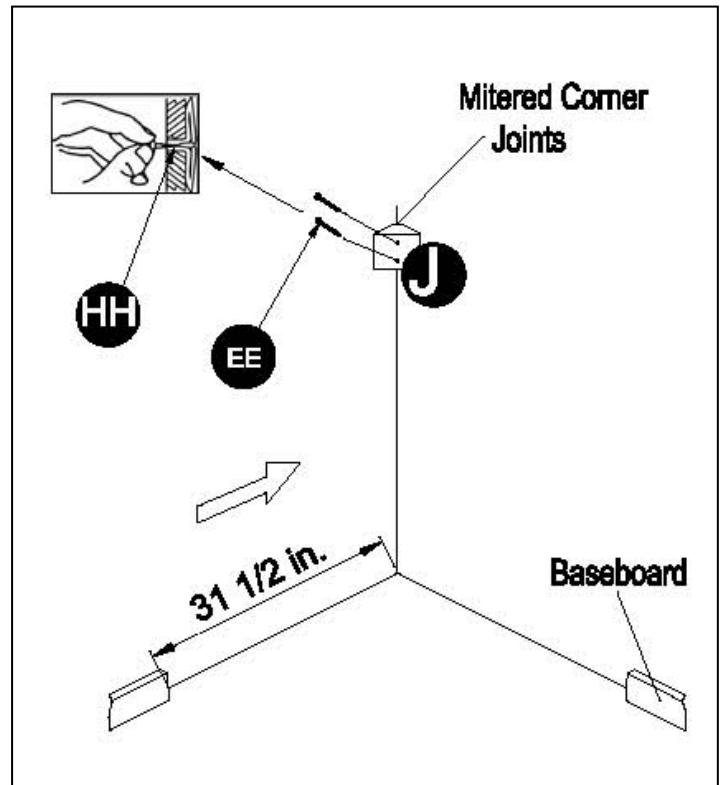
Wall Anchor



×2

Fig 15

15. Attach the triangular wood block to the holes drilled in step 8 with ST5 Screw 2-3/8 in. (EE) as shown in Fig 15. This block is used to support the Set Square Support (J). For thin walls, insert white key (HH) into wall anchor and push to “pop” open anchor wings.



Hardware Used

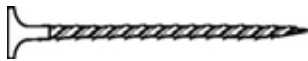

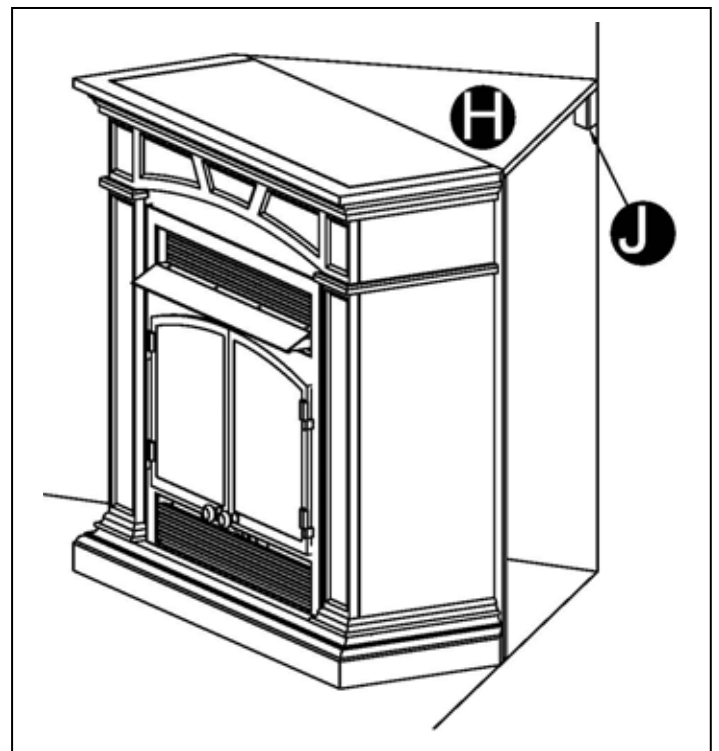
● EE	ST5 Screw 2 3/8 in.		×2
● HH	White Key		×1

Fig 16

16. Push fireplace into corner so that the Top Triangle Panel (H) is resting on top of the Set Square Support (J) as shown in Fig 16.



REPLACEMENT PARTS LIST

Part	Description	Part #	Quantity
	Hardware Package	HP007	1
AA	Cam Dowel	PCAM-023	16
BB	Cam Lock	PCAM-023	16
CC	Wall Anchor	ML066-01	2
DD	ST4 Screw 1-3/16 in.	GB/T 951 4×30	8
EE	ST5 Screw 2-3/8 in.	GB/T 950 5×60	2
FF	ST4 Screw 5/8 in.	GB/T 951 4×16	18
GG	Connector Bracket	SJ002	3
HH	White Key	ML067-01	1
II	ST4 Screw 1-9/16 in.	GB/T 951 4×40	8
JJ	M6 Screw 1-3/8 in.	GB/T 818 6×35	4